



● INTRODUCTION

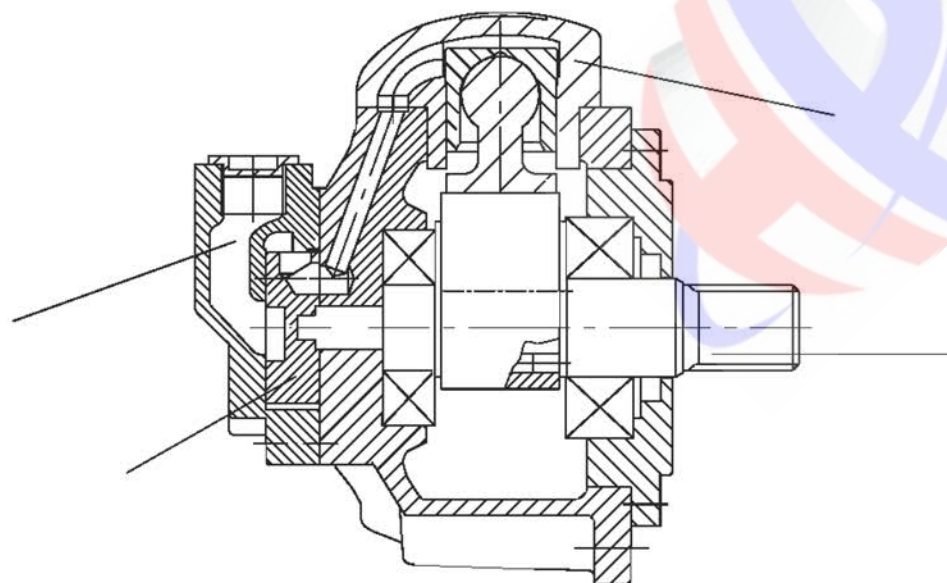
JMDG is one kind of low speed high torque radial piston hydraulic motor. It can be widely applied in petroleum industry, chemical industry, mining, shipping, constructing machinery, especially for plastic injection molding machinery, hydraulic winch, transmission etc.

● CHARACTERISTICS

- ※ Low noise
- ※ High starting torque (mechanical efficiency improved to over 0.9), good stability when low speed
- ※ High volumetric efficiency
- ※ Higher mechanical efficiency
- ※ Opposite rotating available
- ※ Radial and axial load available
- ※ Higher kw/kg ratio

● WORKING PRINCIPLE

High pressure oil comes into the cylinder, working on the piston, pushing the piston down, the piston is connected to the crankshaft, then the crankshaft will turn. Together with oil distributor. When piston walks to its lowest position, the cylinder will get through with the oil tank, then the piston goes back. Total 5 pistons work one by one, the crankshaft will turn continually. When the working oil flows oppositely, the shaft will turn in another direction.



● ORDERING CODE

JMDG - -
 1 2 3 4 5 6

1. Low speed high torque radial piston hydraulic motor
2. Series number (Motors in one series have same dimensions.)
3. Theoretical displacement
4. Output shaft :
 - 1). A means standard spline shaft
 - 2). B means standard key shaft
 - 3). I means standard female spline shaft
 - 4). Same dimensions as Italy SAI motors.
 - 5). Same dimensions as Italy intermot motors.
5. Distributor
 - 1). Distributor code, standard distributors can be found in different series.
 - 2). Special distributor can be found in page 25.
6. Output turning

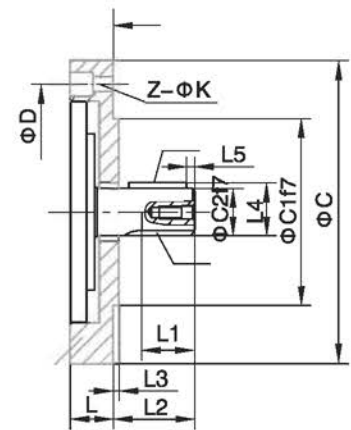
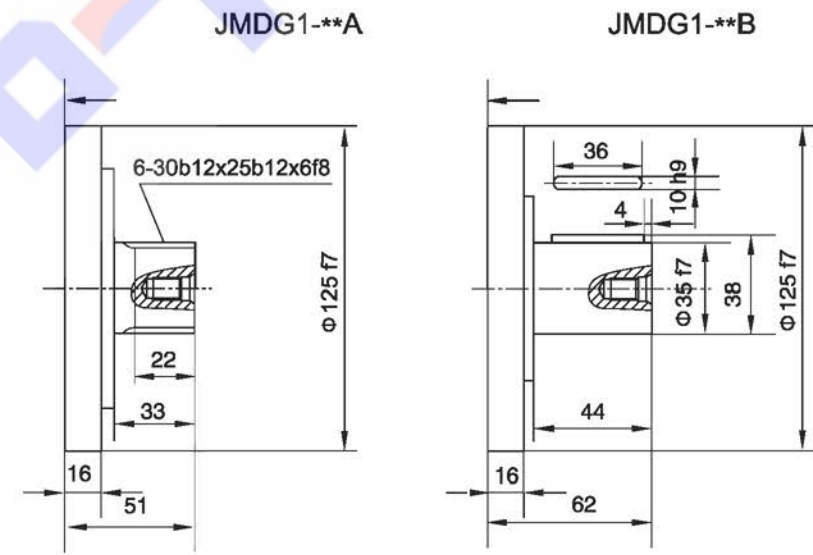
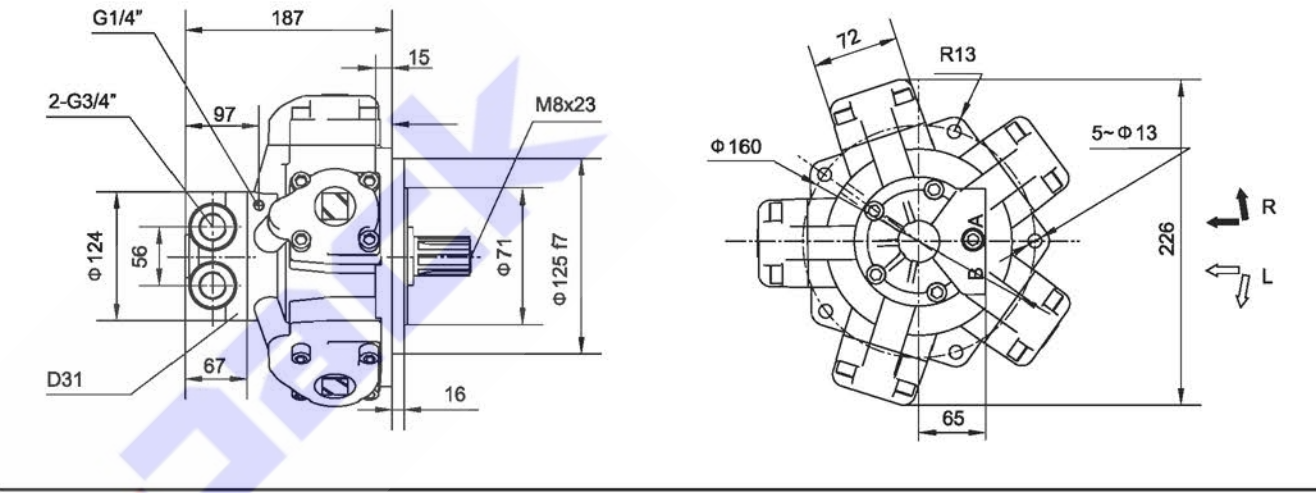
R means clockwise, L means anticlockwise (see from the shaft end)

Note: Full ordering code is a must when placing an order.

● TECHNICAL DATA

TYPE	Displacement (ml/r)	Pressure (Mpa)		Torque (N.m)		Speed Range (r/min)	Max.cont. Power (kw)	Weight (kg)
		peak pressure	cont. pressure	(N.m) Rate torque	N.m/Mpa Theoric Torque			
JMDG1-50	56	24	20	164	8	35-500	6	23
JMDG1-63	64	24	20	188	9	35-500	7	23
JMDG1-80	78	22	18	206	11	35-500	9	23
JMDG1-100	96	22	18	253	14	35-500	11	23
JMDG1-125	126	22	18	332	18	35-500	15	23
JMDG1-160	159	20	16	373	23	35-500	16	23
JMDG2-100	113	24	20	331	17	30-400	11	28
JMDG2-150	157	24	20	460	23	30-400	15	28
JMDG2-175	176	22	18	464	26	30-400	17	28
JMDG2-200	201	22	18	530	29	30-400	19	28
JMDG2-250	254	20	16	595	37	30-400	21	28
JMDG2-280	271	20	16	635	39	30-400	23	28
JMDG3-200	199	22	18	525	29	30-350	25	36
JMDG3-250	254	22	18	670	37	30-350	32	36
JMDG3-300	289	22	18	762	42	30-350	32	36
JMDG3-350	351	22	18	926	51	30-350	32	36
JMDG3-400	397	20	16	931	58	30-350	32	36
JMDG3-450	462	20	16	1083	68	30-350	32	36
JMDG6-400	397	22	18	1047	58	25-320	46	65
JMDG6-450	452	22	18	1192	66	25-320	53	65
JMDG6-500	491	22	18	1295	72	25-320	53	65
JMDG6-600	594	22	18	1566	87	25-320	63	65
JMDG6-700	683	22	18	1801	100	25-320	63	65
JMDG6-750	754	20	16	1767	110	25-320	63	65
JMDG6-800	799	20	16	1873	117	25-320	63	65
JMDG8-600	617	22	18	1627	90	20-280	80	71
JMDG8-700	710	22	18	1872	104	20-280	80	71
JMDG8-800	810	22	18	2136	118	20-280	85	71
JMDG8-900	889	20	16	2084	130	20-280	85	71
JMDG8-1000	1000	20	16	2344	146	20-280	85	71
JMDG8Y-700	710	24	20	2080	101	20-280	85	75
JMDG8Y-800	810	24	20	2373	116	20-280	85	75
JMDG8Y-900	889	24	20	2604	127	20-280	85	75
JMDG8Y-1000	1000	24	20	2930	143	20-280	85	75
JMDG8Y-1100	1117	22	18	2945	160	20-280	90	75
JMDG8Y-1200	1178	22	18	3106	168	20-280	90	75
JMDG11-700	714	24	20	2092	104	18-280	80	90
JMDG11-800	782	24	20	2291	114	18-280	80	90
JMDG11-900	903	24	20	2646	114	18-280	80	90
JMDG11-1000	995	22	18	2624	146	18-280	85	90
JMDG11-1100	1116	22	18	2943	163	18-280	85	90
JMDG11-1200	1175	20	16	2754	172	18-280	85	90
JMDG11-1300	1296	20	16	3038	190	18-280	80	90
JMDG16-1400	1375	24	20	4029	201	15-250	100	160
JMDG16-1600	1648	24	20	4829	241	15-250	110	160
JMDG16-1800	1814	22	18	4783	265	15-250	110	160
JMDG16-2000	2034	22	18	5364	298	15-250	110	160
JMDG16-2400	2412	20	16	5654	353	15-250	97	160
JMDG16Y-2500	2665	24	20	7808	390	10-200	110	260
JMDG16Y-3000	3029	24	20	8875	444	10-200	110	260
JMDG16Y-3150	3161	24	20	9262	463	10-200	110	260
JMDG31-2500	2550	24	20	7471	373	10-200	150	325
JMDG31-2800	2826	24	20	8280	414	10-200	150	325
JMDG31-3000	3050	22	18	8043	447	10-200	140	325
JMDG31-3150	3142	22	18	8285	460	10-200	140	325
JMDG31-3500	3419	22	18	9016	501	10-200	140	325
JMDG31-4000	4170	22	18	10996	611	10-200	130	325
JMDG31-4500	4522	22	18	11924	663	10-160	130	325
JMDG31-5000	5190	20	16	12165	760	10-160	130	325
JMDG71-4600	4617	22	16	10822	676	5-125	145	415
JMDG71-5400	5459	20	16	12795	799	5-125	145	415
JMDG71-6300	6361	18	14	13046	932	5-125	145	415
JMDG100-6300	6133	20	16	14375	898	5-100	168	700
JMDG100-8000	7693	20	16	18032	1127	5-100	168	700
JMDG100-10000	10688	18	14	21921	1565	5-100	168	700
JMDG160-12500	13335	20	16	30577	1911	3-80	200	1000
JMDG160-16000	16040	18	14	32182	2298	3-63	200	1000

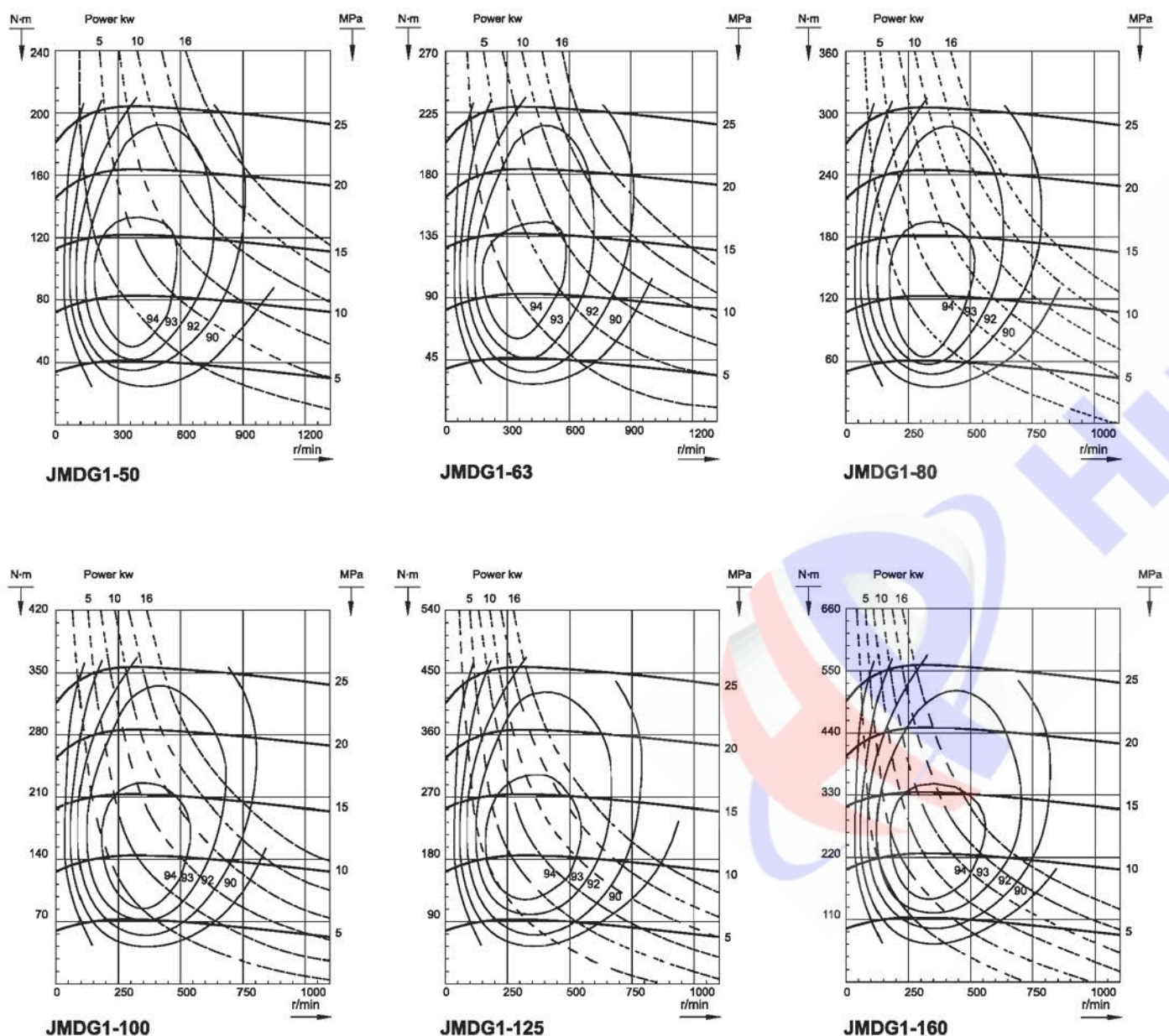
● JMDG1 Installation



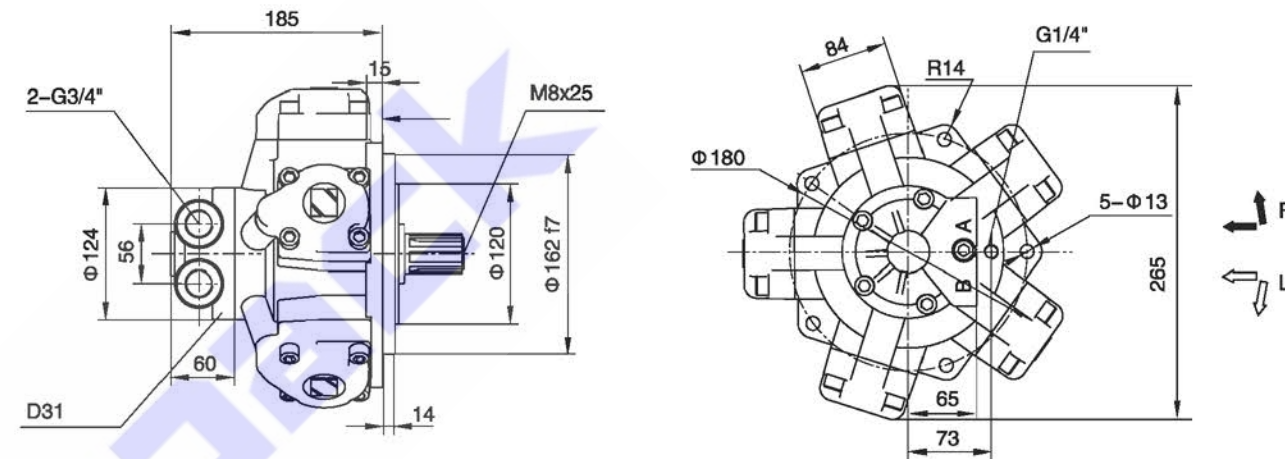
		C	C1	C2	L	L1	L2	L3	L4	L5	D	Z-φK
JMDG1-**S058	-	-	125	30	-	-	65	16	33	3	160	5-φ13 8x40
JMDG1-**B1	B1	186	82.5	25.4	32	-	51	10	28	4	106.4	2-φ11 6.35x32
JMDG1-**B2	-	-	125	35	-	-	78	16	38	4	160	5-φ13 10x45
JMDG1-**B11	B11	186	125	25	22	-	51	10	28	4	105	4-φ11 8x32

TYPE	Displacement (ml/r)	Pressure (MPa)		Torque(N.m)		Speed range (r/min)	Max cont Power (Kw)	Weight (Kg)
		Peak pressure	Cont pressure	(N.m) Rate torque	(N.m/MPa) Theoric torque			
JMDG1-50	56	24	20	164	8	35-500	6	23
JMDG1-63	64	24	20	188	9	35-500	7	23
JMDG1-80	78	22	18	206	11	35-500	9	23
JMDG1-100	96	22	18	253	14	35-500	11	23
JMDG1-125	126	22	18	332	18	35-500	15	23
JMDG1-160	159	20	16	373	23	35-500	16	23

● JMDG1-50~160 PERFORMANCE DIAGRAMS



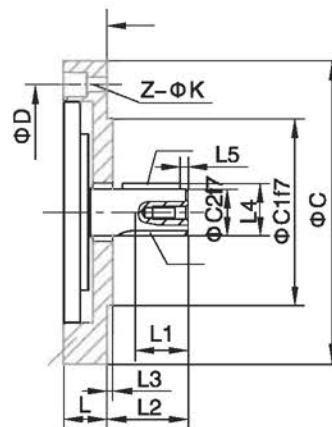
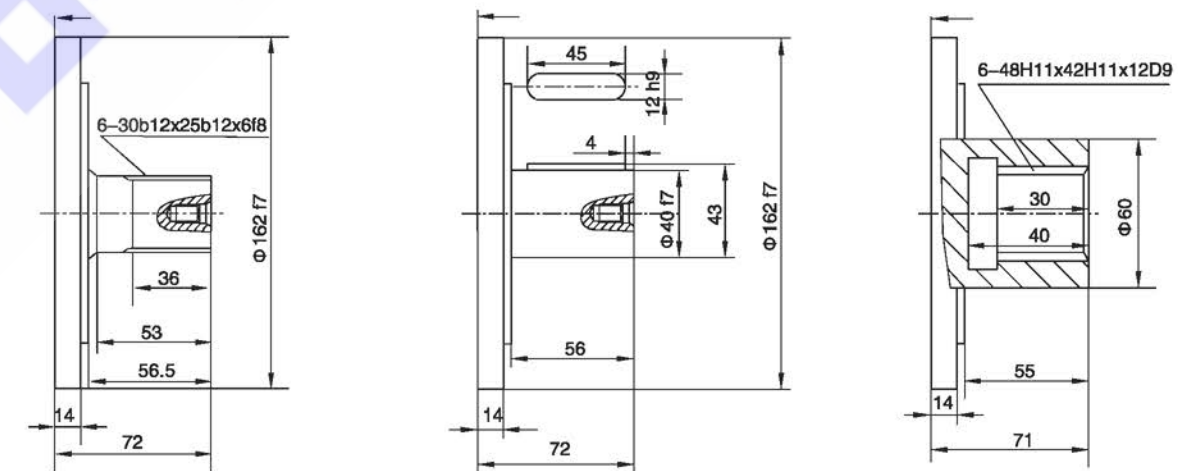
● JMDG2 Installation



JMDG2-***A

JMDG2-***B

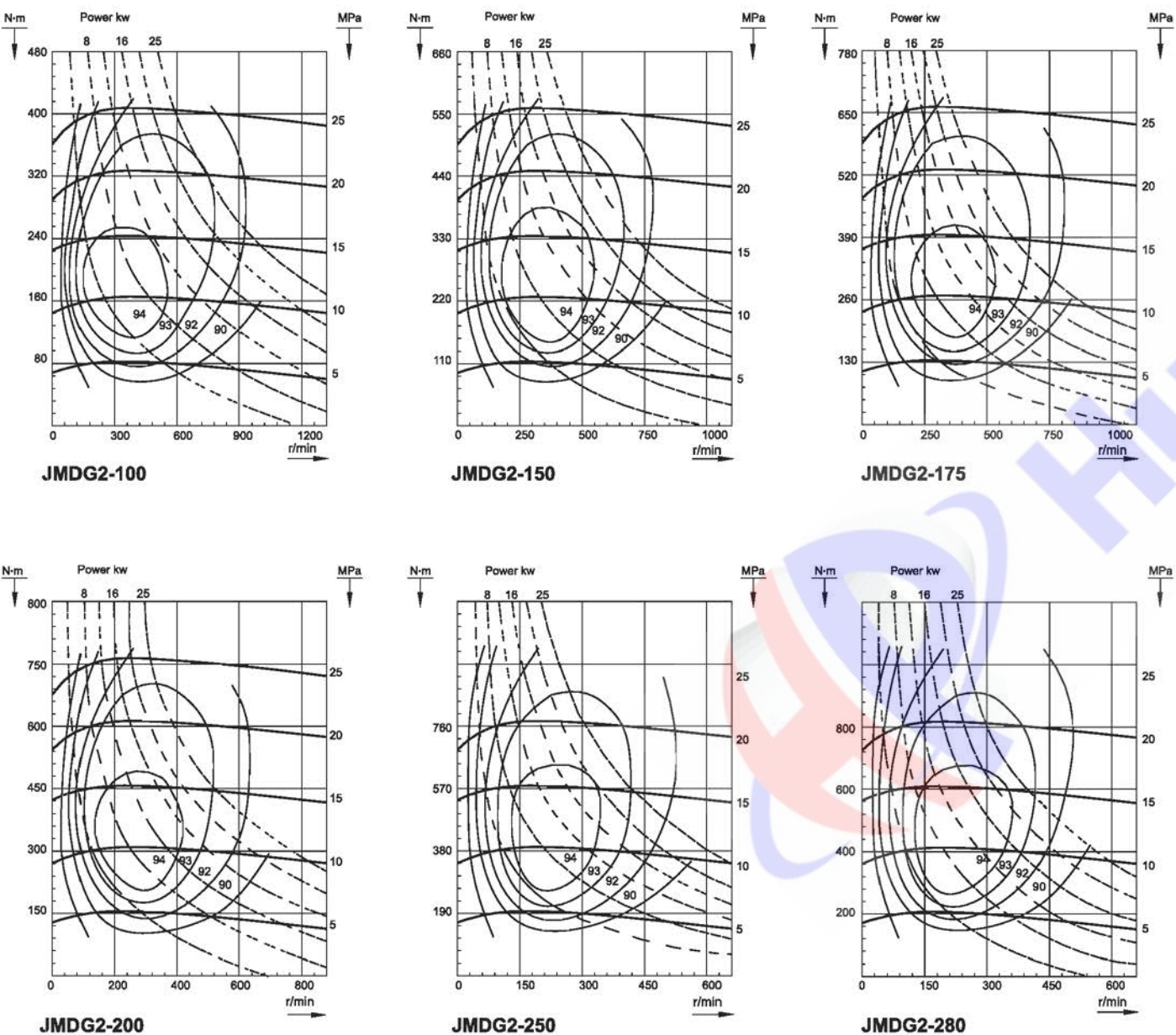
JMDG2-***I



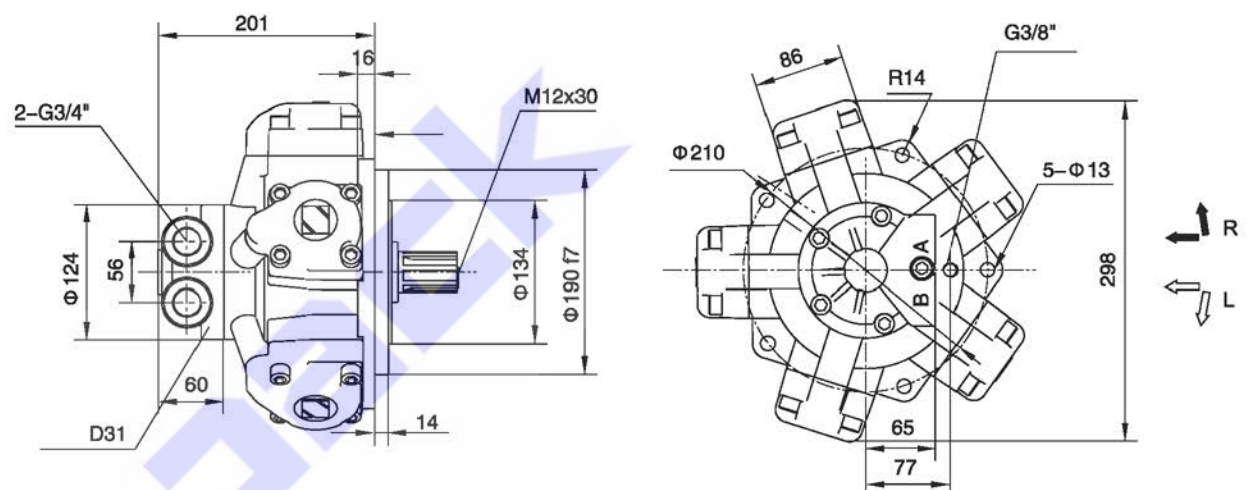
	C	C1	C2	L	L1	L2	L3	L4	L5	D	Z- ϕK	
JMDG2-***T12	-	-	172	32	-	59	14	35	4	190	5- $\phi 11$	10x35
JMDG2-***S11	S11	232	175	34	30	42	3	-	-	210	2- $\phi 13$	6-34d11x28d11x7f8
JMDG2-***S18	S18	232	175	40	30	58	3	43	6	210	5- $\phi 13$	12x50
JMDG2-***B1	B1	208	125	40	35	56	5	43	4	160	4- $\phi 13$	12x50
JMDG2-***B2	B2	208	82.5	25.4	35	56	5	28	4	106.4	2- $\phi 11$	6.35x32
JMDG2-***B3	B3	162	100	35	40	39	4	38	4	160	5- $\phi 13$	10x45

TYPE	Displacement (ml/r)	Pressure (MPa)		Torque(N.m)		Speed range (r/min)	Max cont Power (Kw)	Weight (Kg)
		Peak pressure	Cont pressure	(N.m) Rate torque	(N.m/MPa) Theoric torque			
JMDG2-100	113	24	20	331	17	30-400	11	28
JMDG2-150	157	24	20	460	23	30-400	15	28
JMDG2-175	176	22	18	464	26	30-400	17	28
JMDG2-200	201	22	18	530	29	30-400	19	28
JMDG2-250	254	20	16	595	37	30-400	21	28
JMDG2-280	271	20	16	635	39	30-400	23	28

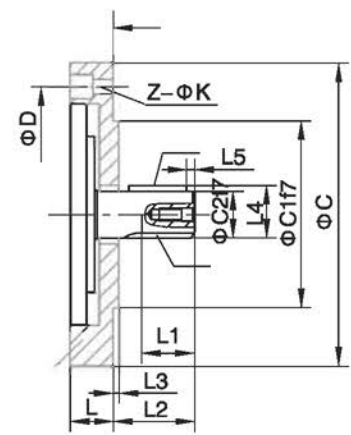
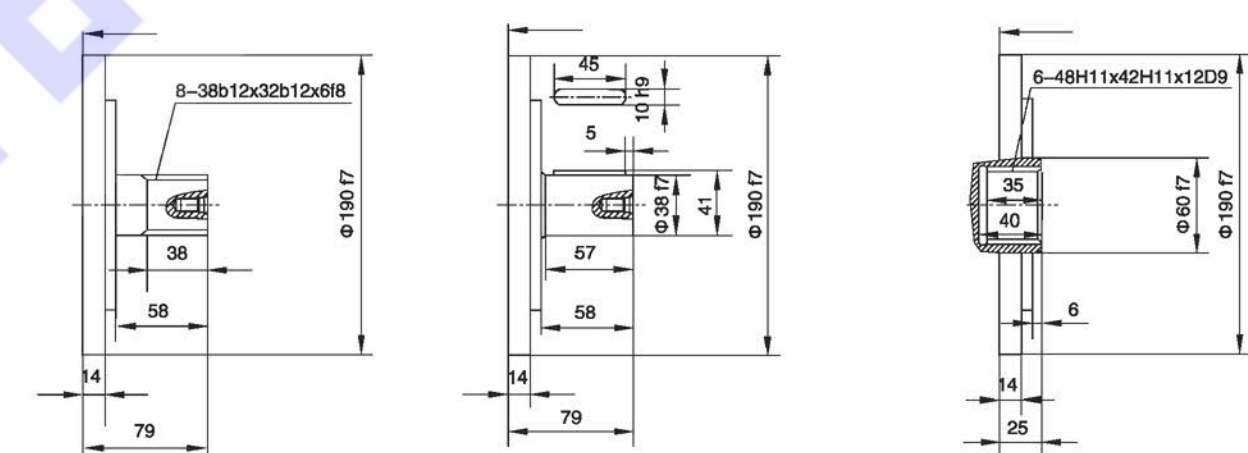
● JMDG2-100~280 PERFORMANCE DIAGRAMS



● JMDG3 Installation



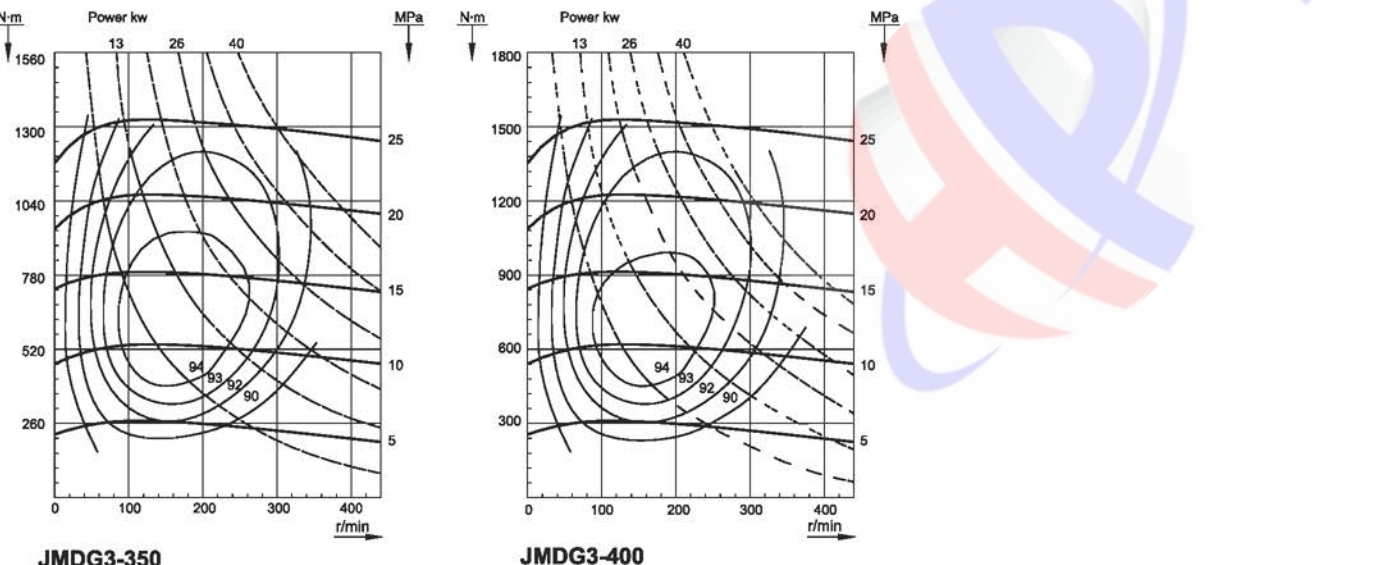
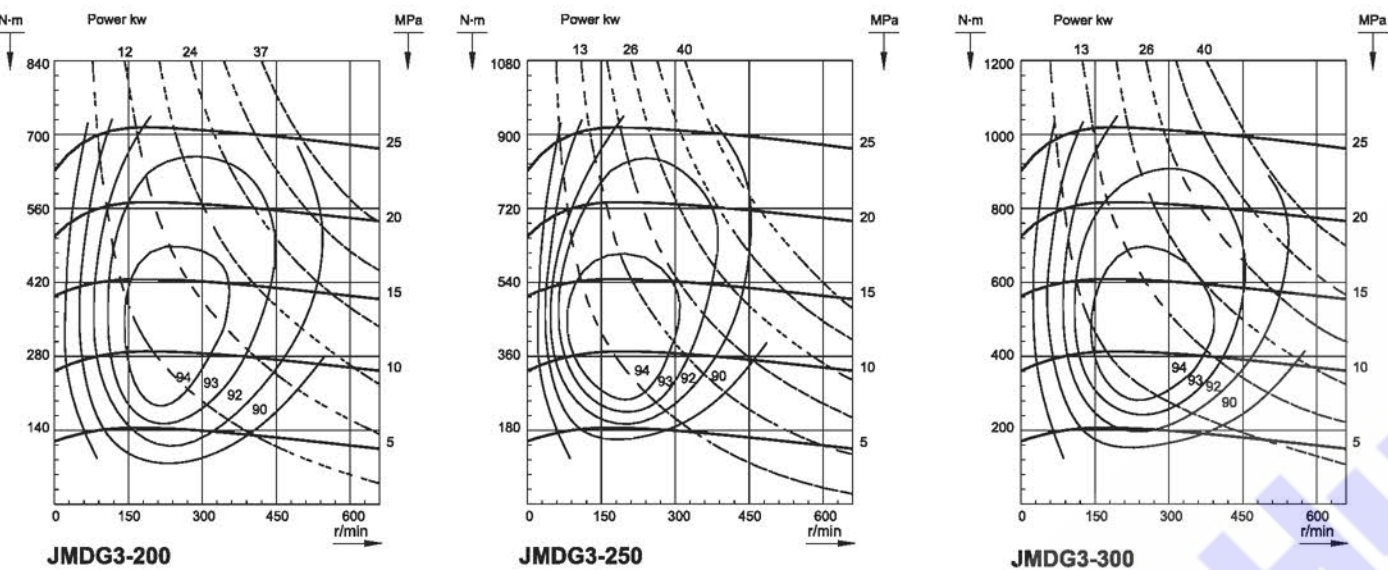
JMDG3-**A JMDG3-**B JMDG3-**I



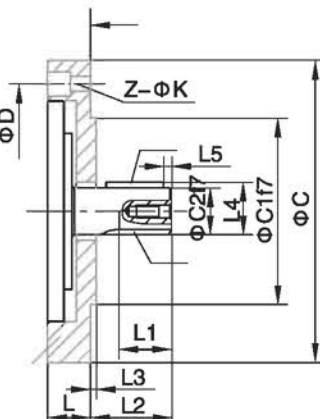
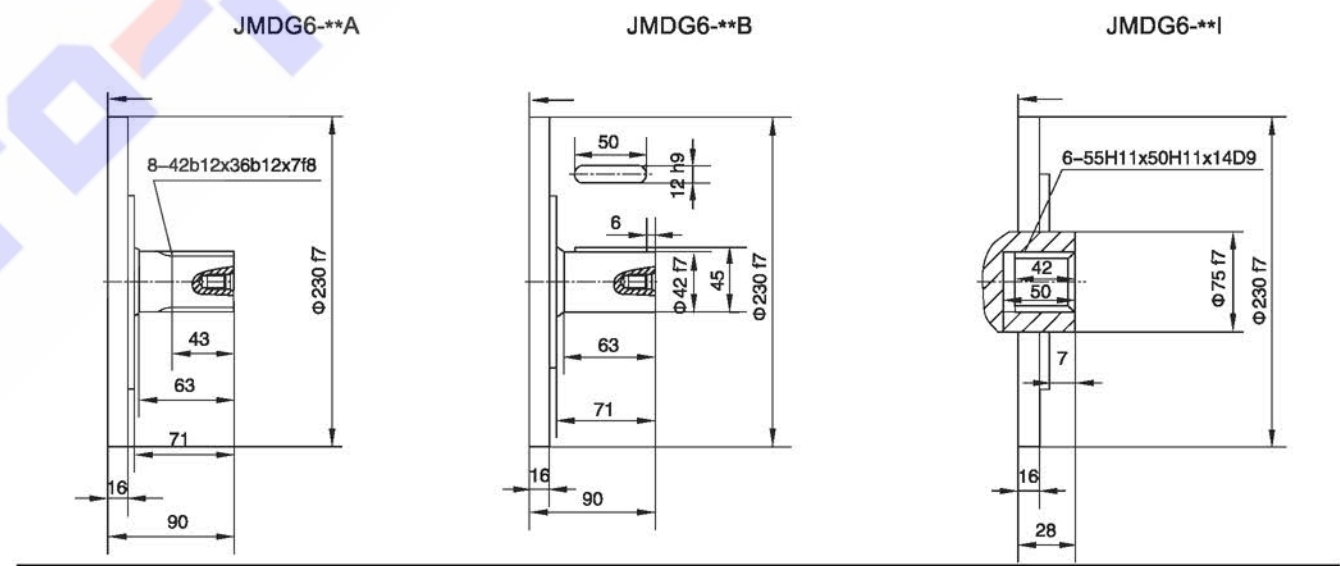
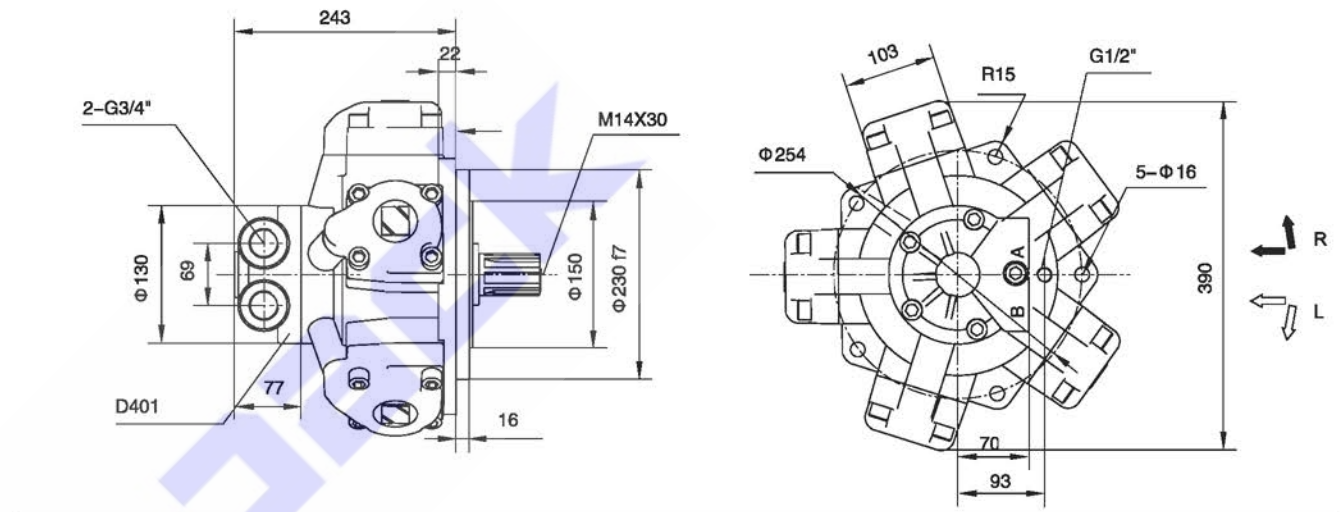
		C	C1	C2	L	L1	L2	L3	L4	L5	D	Z- ϕ K	
JMDG3-**T20	-	-	190	38	-	27	68	14	-	-	210	5- $\phi 13$	8-38b12x32b12x6f8
JMDG3-**S11	S11	238	175	34	37	38	42	3	-	-	210	5- $\phi 13$	6-34d11x28d11x7f8
JMDG3-**S21	S21	226	150	40	37	60	72	5	-	-	195	5- $\phi 13$	8-40d11x36d11x7f8
JMDG3-**B1	B1	238	125	40	37	-	64.5	5	43	4	160	4- $\phi 13$	12x50
JMDG3-**B2	B2	238	160	50	37	-	98	5	53.5	4	200	2- $\phi 17$	14x50
JMDG3-**B4	B2	238	160	50	37	-	85	5	53.5	4	200	2- $\phi 17$	14x50

TYPE	Displacement (ml/r)	Pressure (MPa)		Torque(N.m)		Speed range (r/min)	Max cont Power (Kw)	Weight (Kg)
		Peak pressure	Cont pressure	(N.m) Rate torque	(N.m/MPa) Theoric torque			
JMDG3-200	199	22	18	525	29	30-350	25	36
JMDG3-250	254	22	18	670	37	30-350	32	36
JMDG3-300	289	22	18	762	42	30-350	32	36
JMDG3-350	351	22	18	926	51	30-350	32	36
JMDG3-400	397	20	16	931	58	30-350	32	36
JMDG3-450	462	20	16	1083	68	30-350	32	36

● JMDG3-200~400 PERFORMANCE DIAGRAMS



● JMDG6 Installation



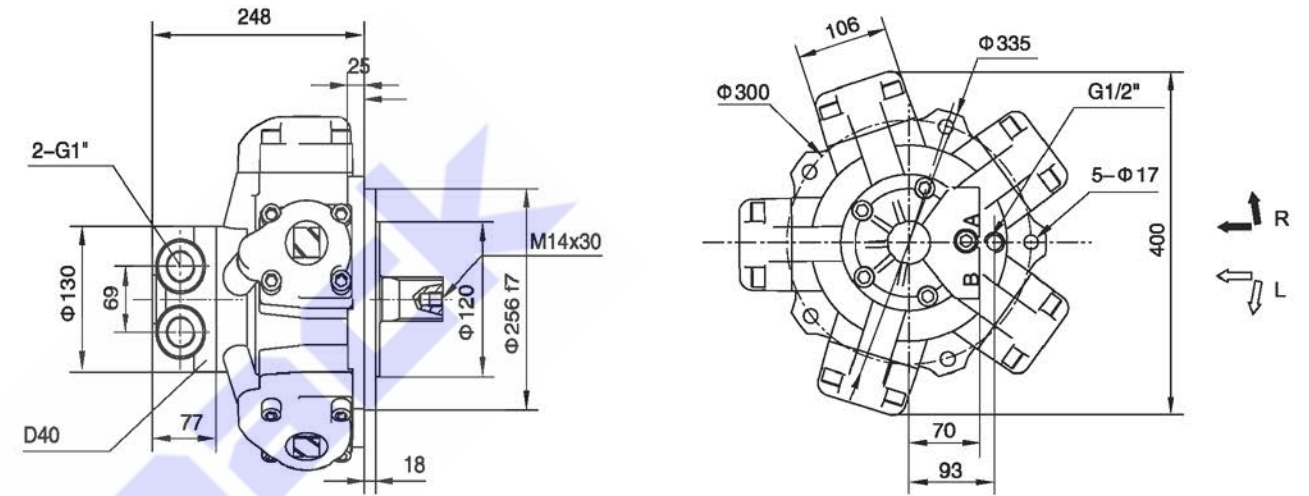
		C	C1	C2	L	L1	L2	L3	L4	L5	D	Z-φK	
JMDG6-**T20	-	-	230	42	-	43	86	16	-	-	254	5-φ16	8-42b12x36b12x7f8
JMDG6-**SL2	S21-1	284	150	40	37	48	72	5	-	-	195	5-φ13	8-40b11x36b11x7f8
JMDG6-**S21	S21	-	150	40	-	48	72	5.3	-	-	250	5-φ16	8-40d11x36d11x7f8
JMDG6-**S38	S38	350	265	50	30	-	86	10	53.5	6	310	5-φ20	16x70
JMDG6-**B1	B1	284	125	40	37	-	70	5	43	6	160	4-φ17	12x50
JMDG6-**B2	B2	284	160	50	37	-	103	5	53.5	4	200	4-φ17	14x50

JMDG6 Radial piston hydraulic motor

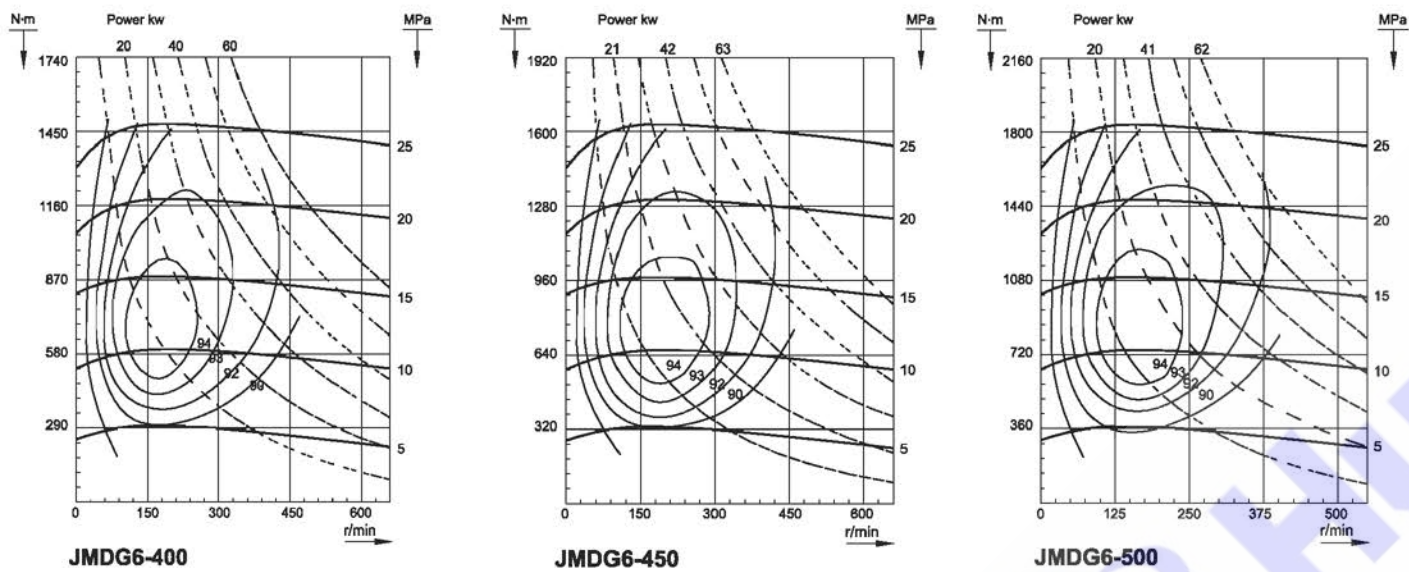
TYPE	Displacement (ml/r)	Pressure (MPa)		Torque(N.m)		Speed range (r/min)	Max cont Power (Kw)	Weight (Kg)
		Peak pressure	Cont pressure	(N.m) Rate torque	(N.m/MPa) Theoric torque			
JMDG6-400	397	22	18	1047	58	25-320	46	65
JMDG6-450	452	22	18	1192	66	25-320	53	65
JMDG6-500	491	22	18	1295	72	25-320	53	65
JMDG6-600	594	22	18	1566	87	25-320	63	65
JMDG6-700	683	22	18	1801	100	25-320	63	65
JMDG6-750	754	20	16	1767	110	25-320	63	65
JMDG6-800	799	20	16	1873	117	25-320	63	65

JMDG8 Radial piston hydraulic motor

● JMDG8 Installation

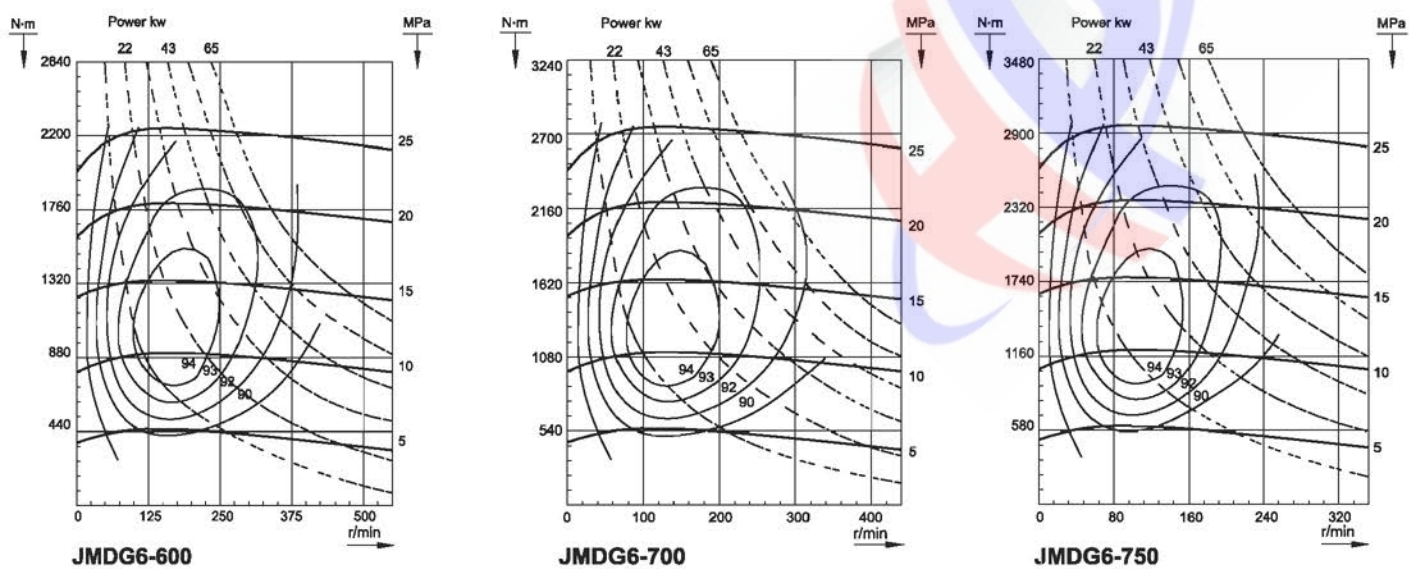
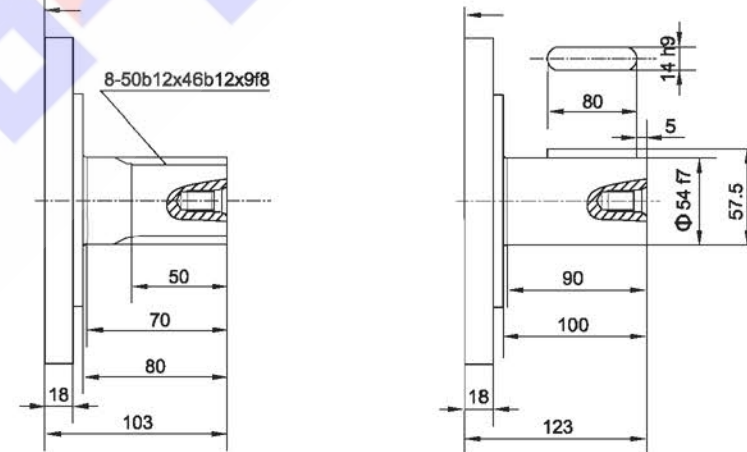


● JMDG6-400~750 PERFORMANCE DIAGRAMS



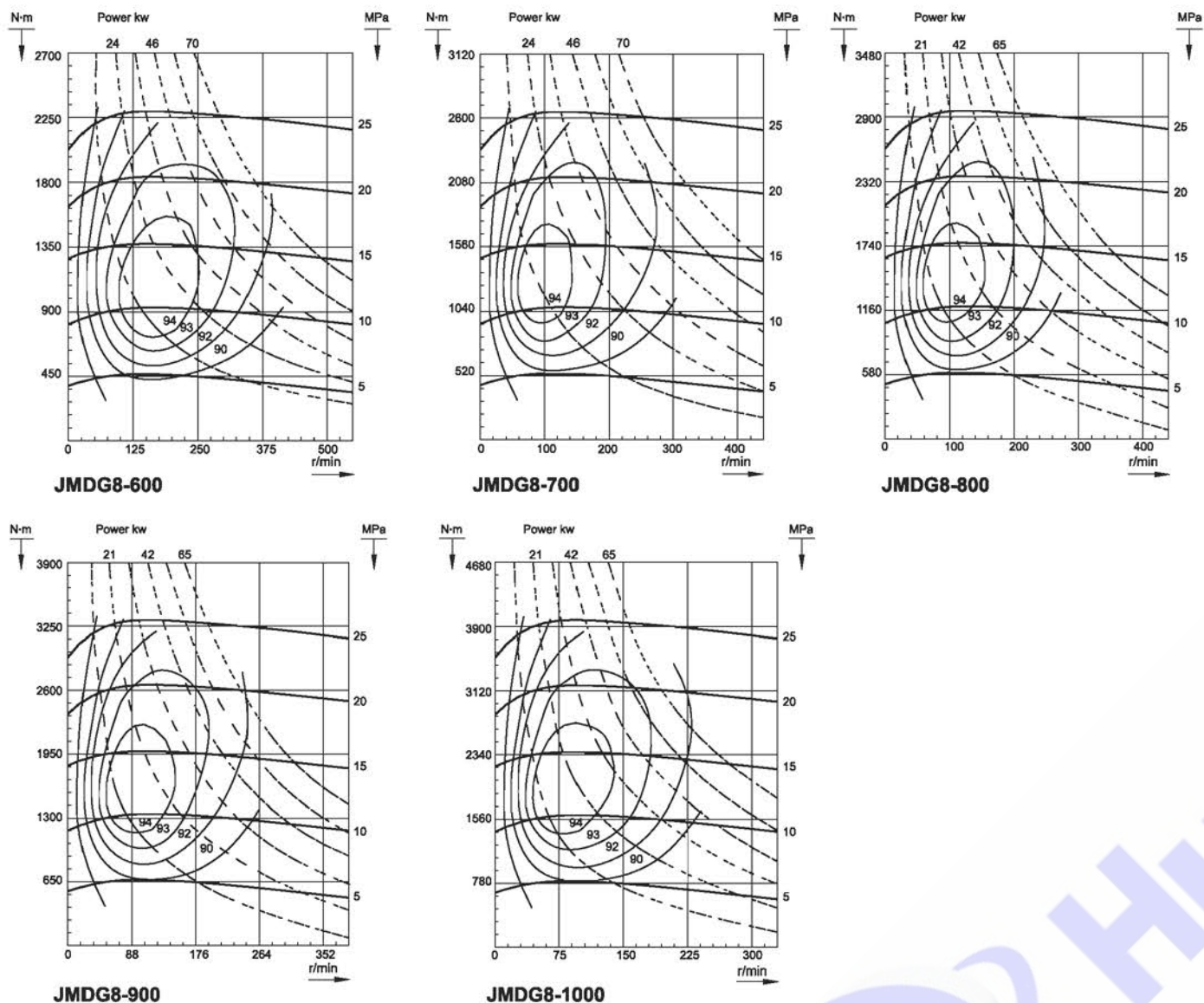
JMDG8-**A

JMDG8-**B



TYPE	Displacement (ml/r)	Pressure (MPa)		Torque(N.m)		Speed range (r/min)	Max cont Power (Kw)	Weight (Kg)
		Peak pressure	Cont pressure	(N.m) Rate torque	(N.m/MPa) Theoric torque			
JMDG8-600	617	22	18	1627	90	20-280	80	71
JMDG8-700	710	22	18	1872	104	20-280	80	71
JMDG8-800	810	22	18	2136	118	20-280	85	71
JMDG8-900	889	20	16	2084	130	20-280	85	71
JMDG8-1000	1000	20	16	2344	146	20-280	85	71
JMDG8Y-700	710	24	20	2080	101	20-280	85	75
JMDG8Y-800	810	24	20	2373	116	20-280	85	75
JMDG8Y-900	889	24	20	2604	127	20-280	85	75
JMDG8Y-1000	1000	24	20	2930	143	20-280	85	75
JMDG8Y-1100	1117	22	18	2945	160	20-280	90	75
JMDG8Y-1200	1178	22	18	3106	168	20-280	90	75

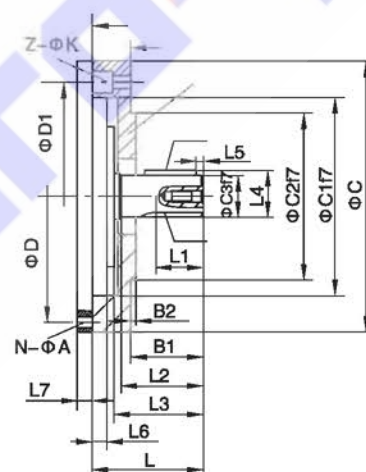
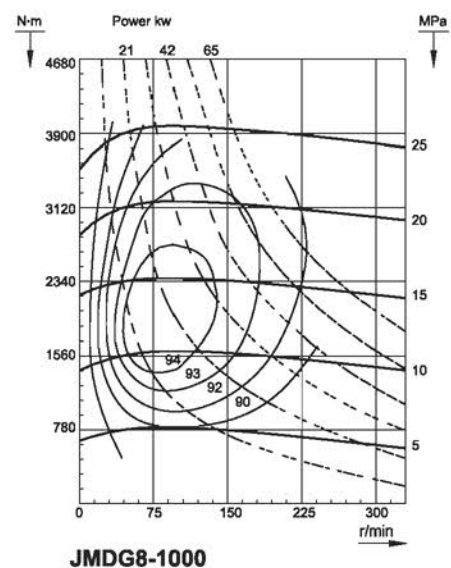
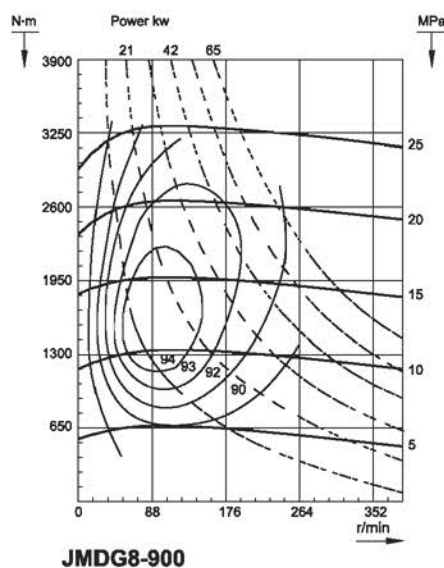
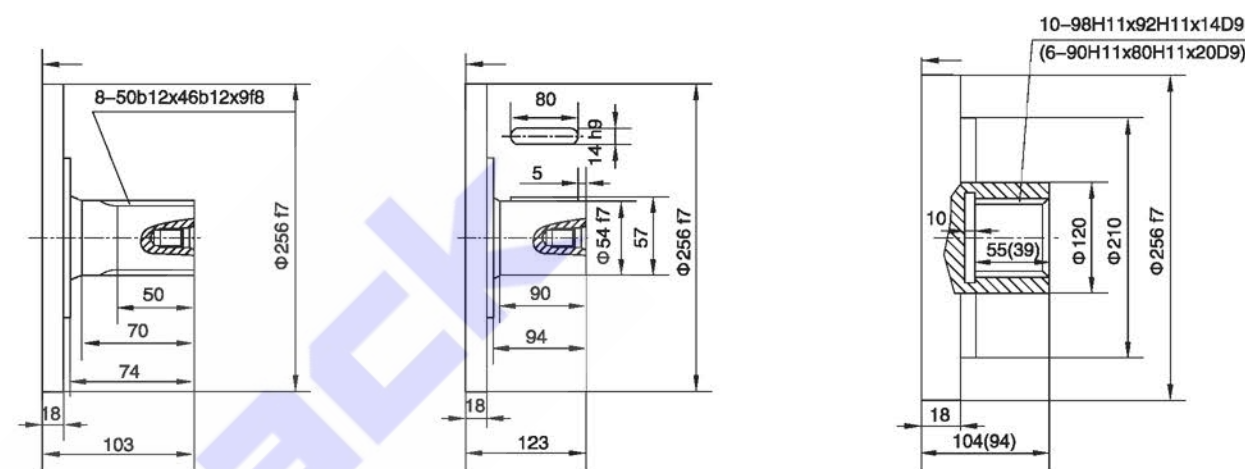
● JMDG8-600~1000 PERFORMANCE DIAGRAMS



JMDG11-**A

JMDG11-**B

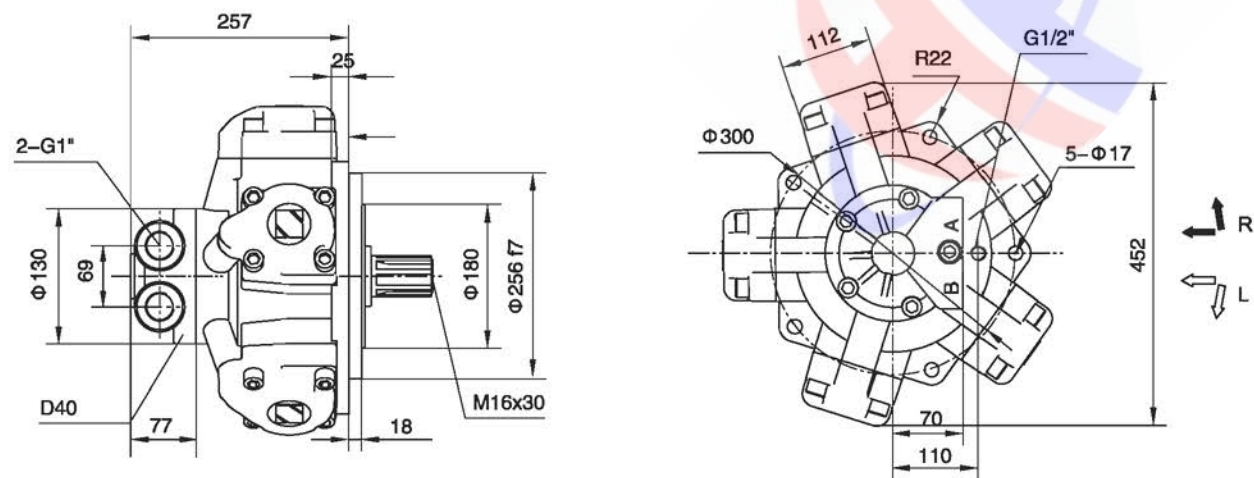
JMDG11-**I



		L	L1	L2	L3	L4	L5	L6	L7	C	C1	C2	C3	B1	B2	D	N- ϕA
JMDG11-**S48	-	90	-	79	80	74.5	5	10	45	344	265	-	70	-	-	310	5- $\phi 17$
JMDG11-**S41	S40	136	61	-	108	-	-	18	25	340	256	175	65	86	6	300	5- $\phi 17$
JMDG11-**B2	B2	176	-	140	146	67.4	5	18	25	348	256	200	63	127	7	300	5- $\phi 17$
JMDG11-**B3	-	122	-	90	92	63	5	18	25	344	260	-	60	-	-	300	5- $\phi 17$
JMDG11-**B4	-	153	-	110	130	74.5	5	13	32	344	280	-	70	-	-	320	5- $\phi 18$
JMDG11-**B5	B5	176	-	140	146	64.4	5	18	25	344	256	150	60	127	7	300	5- $\phi 17$
JMDG11-**D	-	138	-	109	109	67.4	5	18	25	344	256	-	63	-	-	300	5- $\phi 17$

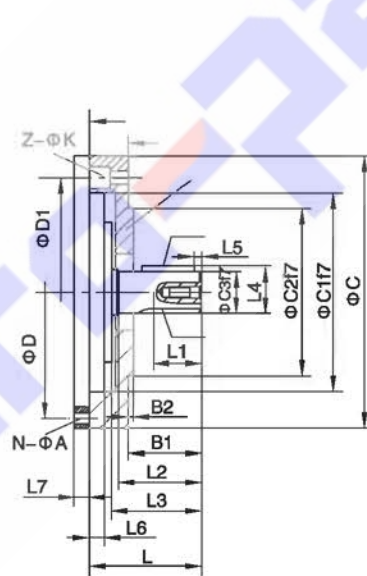
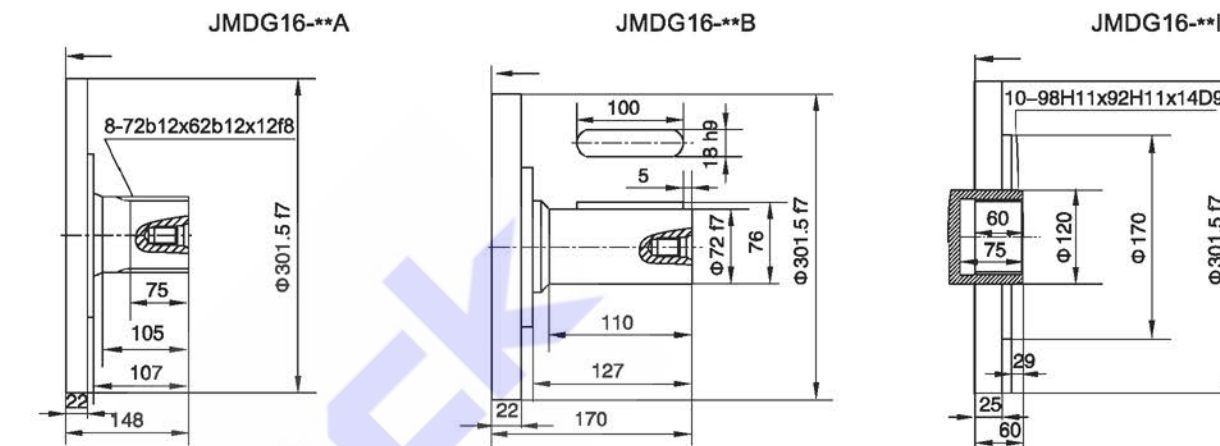
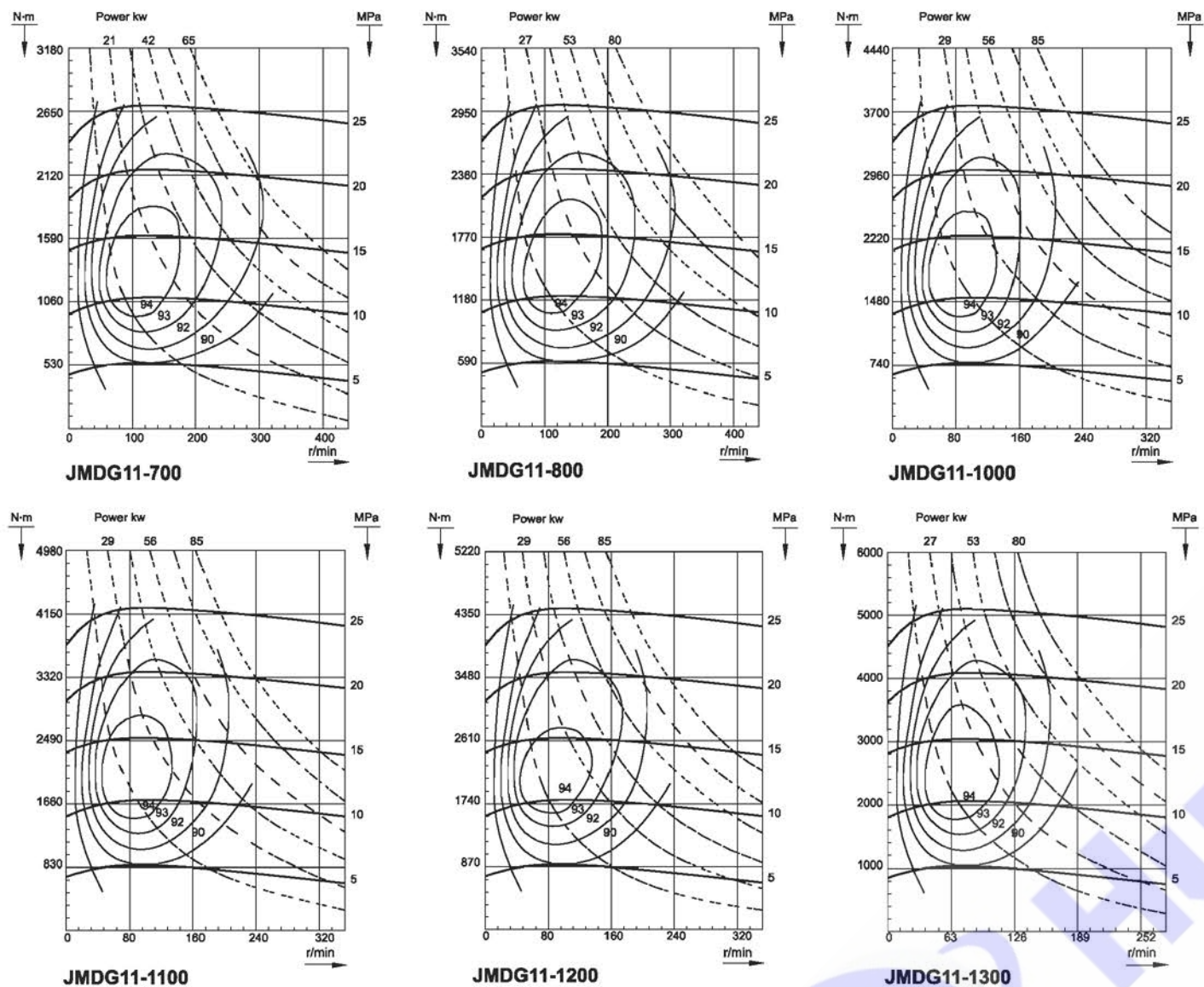
	D1	Z- ϕK	
JMDG11-**S48	-	-	20x70
JMDG11-**S41	310	5- $\phi 15$	8-65d11x56d11x10f8
JMDG11-**B2	250	4- $\phi 22$	18x80
JMDG11-**B3	-	-	18x80
JMDG11-**B4	-	-	20x80
JMDG11-**B5	228	4- $\phi 22$	18x95
JMDG11-**D	-	-	18x90

● JMDG11 Installation



TYPE	Displacement (ml/r)	Pressure (MPa)		Torque(N.m)		Speed range (r/min)	Max cont Power (Kw)	Weight (Kg)
		Peak pressure	Cont pressure	(N.m) Rate torque	(N.m/MPa) Theoric torque			
JMDG11-700	714	24	20	2092	104	18-280	80	90
JMDG11-800	782	24	20	2291	114	18-280	80	90
JMDG11-900	903	24	20	2646	114	18-280	80	90
JMDG11-1000	995	22	18	2624	146	18-280	85	90
JMDG11-1100	1116	22	18	2943	163	18-280	85	90
JMDG11-1200	1175	20	16	2754	172	18-280	85	90
JMDG11-1300	1296	20	16	3038	190	18-280	80	90

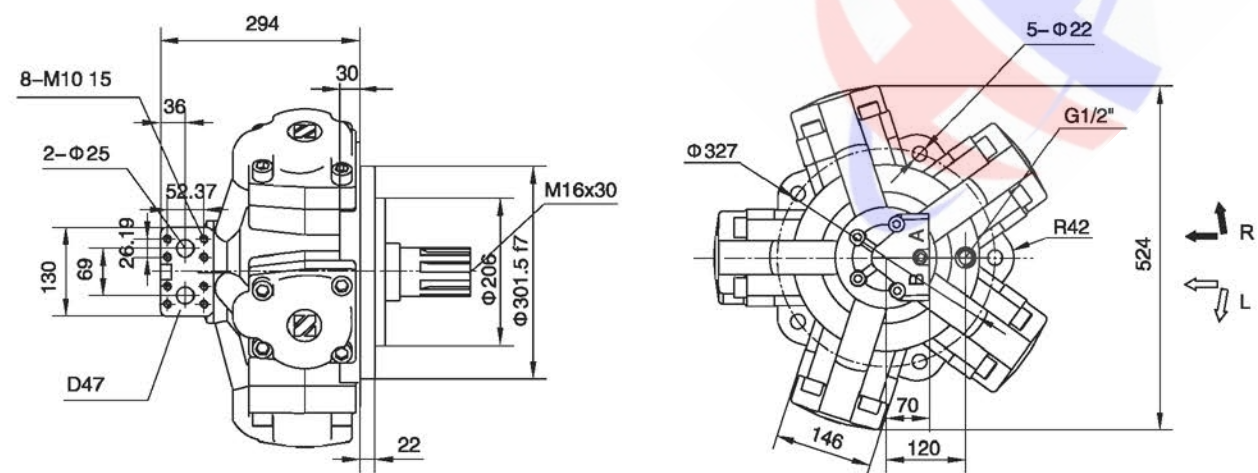
● JMDG11-700~1300 PERFORMANCE DIAGRAMS



		L	L1	L2	L3	L4	L5	L6	L7	C	C1	C2	C3	B1	B2	D	N- ϕA
JMDG16-**TC50	TC50	165	80	124.5	128	-	-	22	30	410	301.5	290	82	132	10	327	5- $\phi 22$
JMDG16-**A1	-	148	70	105	107	-	-	22	30	411	301.5	-	82	-	-	327	5- $\phi 22$
JMDG16-**A2	-	148	70	105	107	-	-	22	30	411	301.5	-	62	-	-	327	5- $\phi 22$
JMDG16-**A3	A3	148	50	85	108.5	-	-	22	30	360	301.5	256	50	103	10	327	5- $\phi 22$
JMDG16-**A4	-	136	70	93	95	-	-	22	30	411	301.5	-	72	-	-	327	5- $\phi 22$
JMDG16-**B2(C)	-	198	-	154	161	85	5	22	30	411	320	-	80	-	-	360	5- $\phi 22$

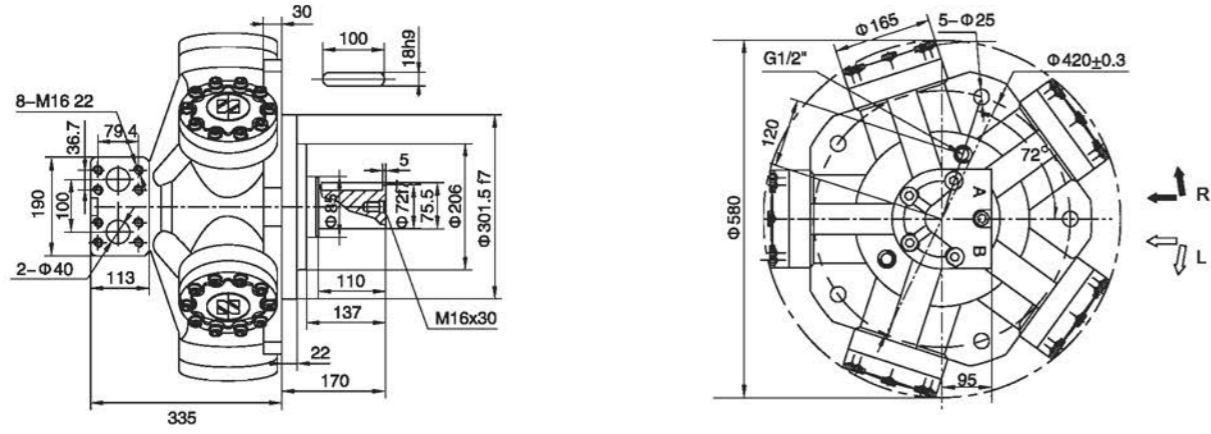
	D1	Z- ϕK	
JMDG16-**TC50	380	5- $\phi 17$	10-82b12x72b12x12f8
JMDG16-**A1	-	-	10-82b12x72b12x12f8
JMDG16-**A2	-	-	8-62b12x56b12x10f8
JMDG16-**A3	300	5- $\phi 17$	8-50b12x46b12x9f8
JMDG16-**A4	-	-	8-72b12x62b12x12f8
JMDG16-**B2(C)	-	-	24x145

● JMDG16 Installation

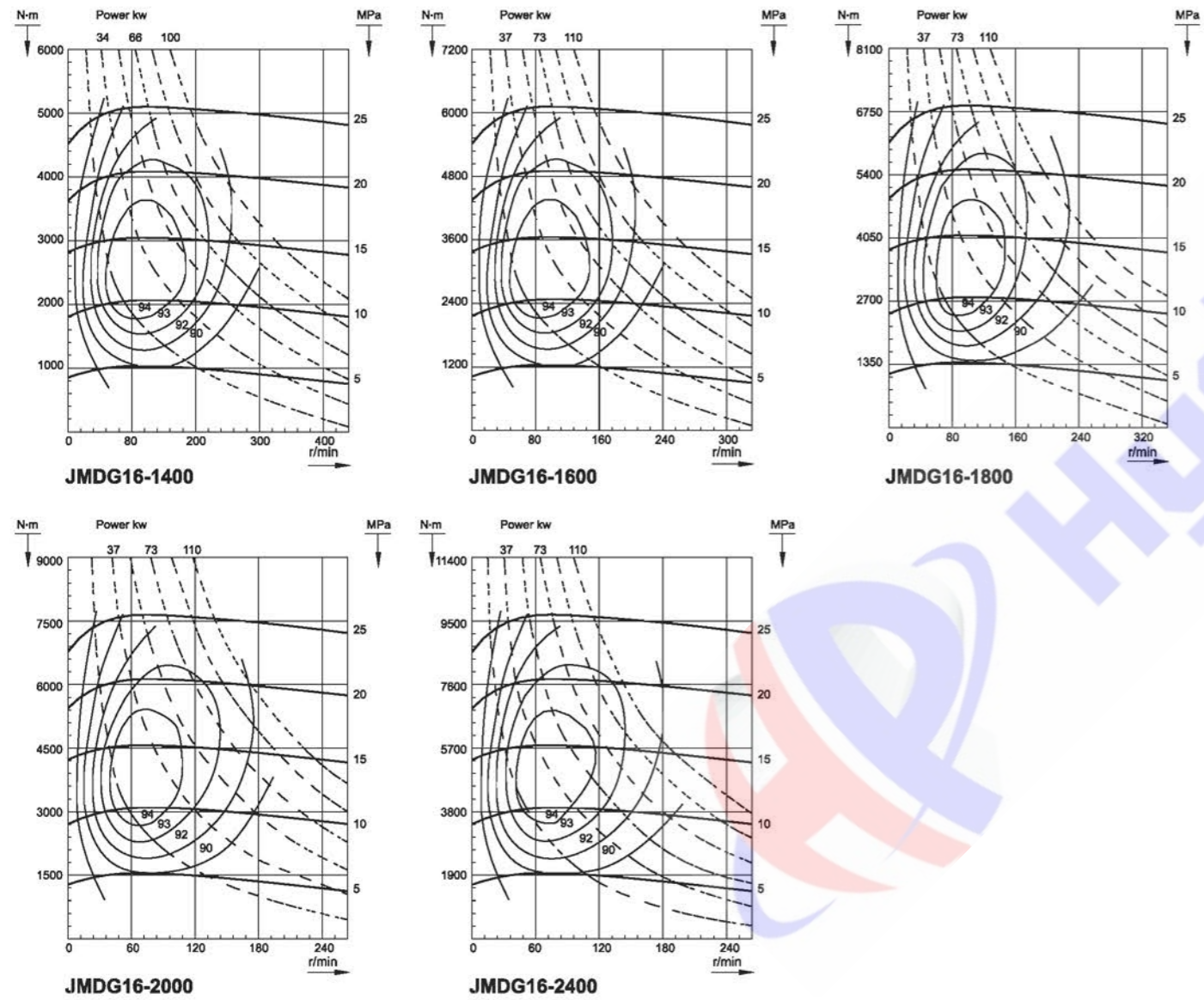


TYPE	Displacement (ml/r)	Pressure (MPa)		Torque (N.m)		Speed range (r/min)	Max cont Power (Kw)	Weight (Kg)
		Peak pressure	Cont pressure	(N.m) Rate torque	(N.m/MPa) Theoric torque			
JMDG16-1400	1375	24	20	4029	201	15-250	100	160
JMDG16-1600	1648	24	20	4829	241	15-250	110	160
JMDG16-1800	1814	22	18	4783	265	15-250	110	160
JMDG16-2000	2034	22	18	5364	298	15-250	110	160
JMDG16-2400	2412	20	16	5654	353	15-250	97	160
JMDG16Y-2500	2665	24	20	7808	390	10-200	110	260
JMDG16Y-3000	3029	24	20	8875	444	10-200	110	260
JMDG16Y-3150	3161	24	20	9262	463	10-200	110	260

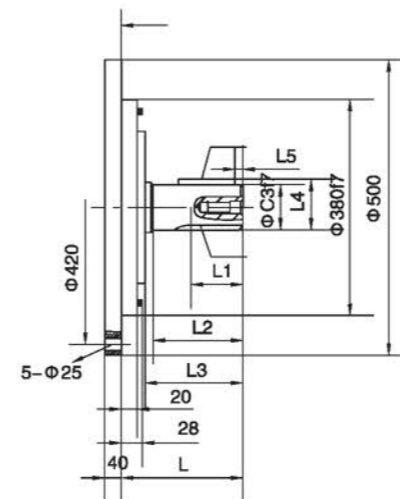
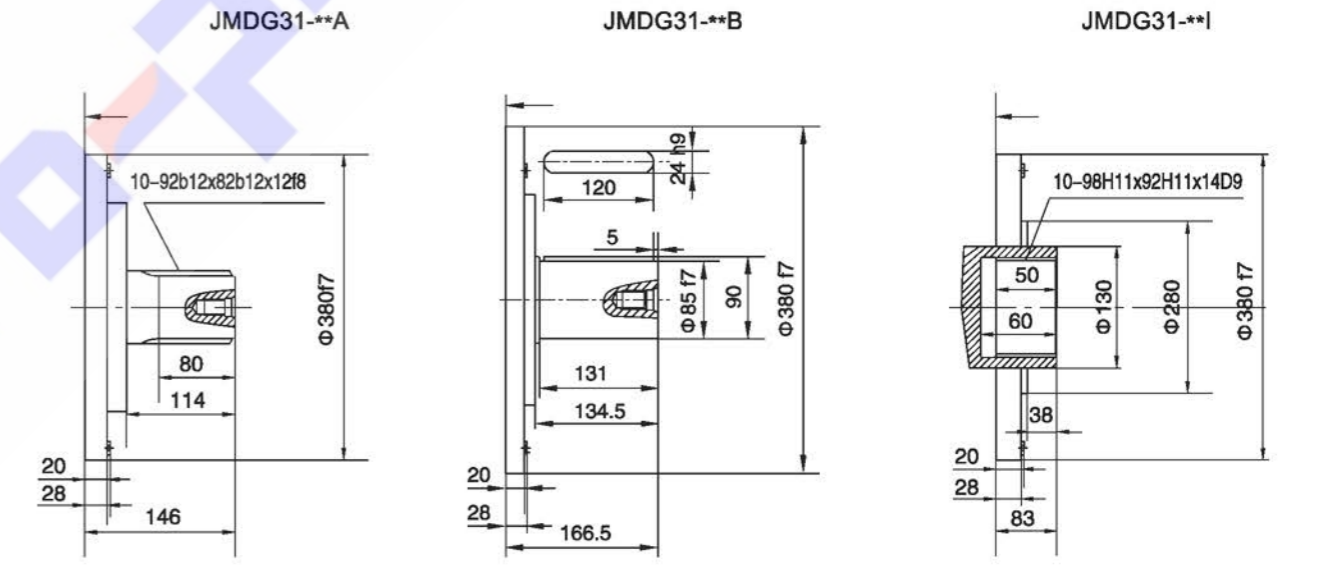
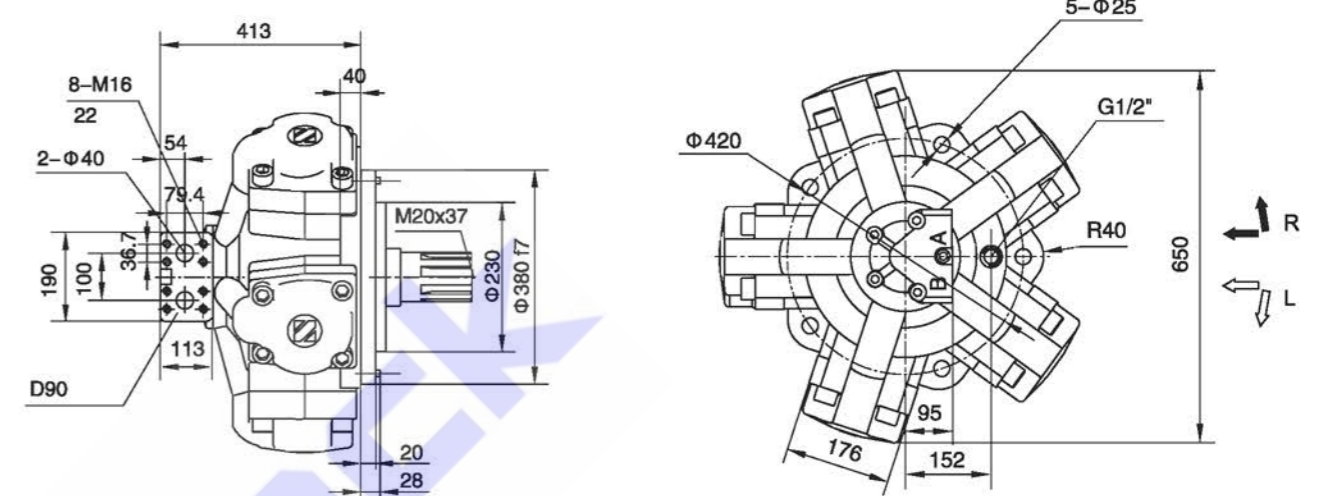
● JMDG16Y Installation



● JMDG16-1400~2400 PERFORMANCE DIAGRAMS



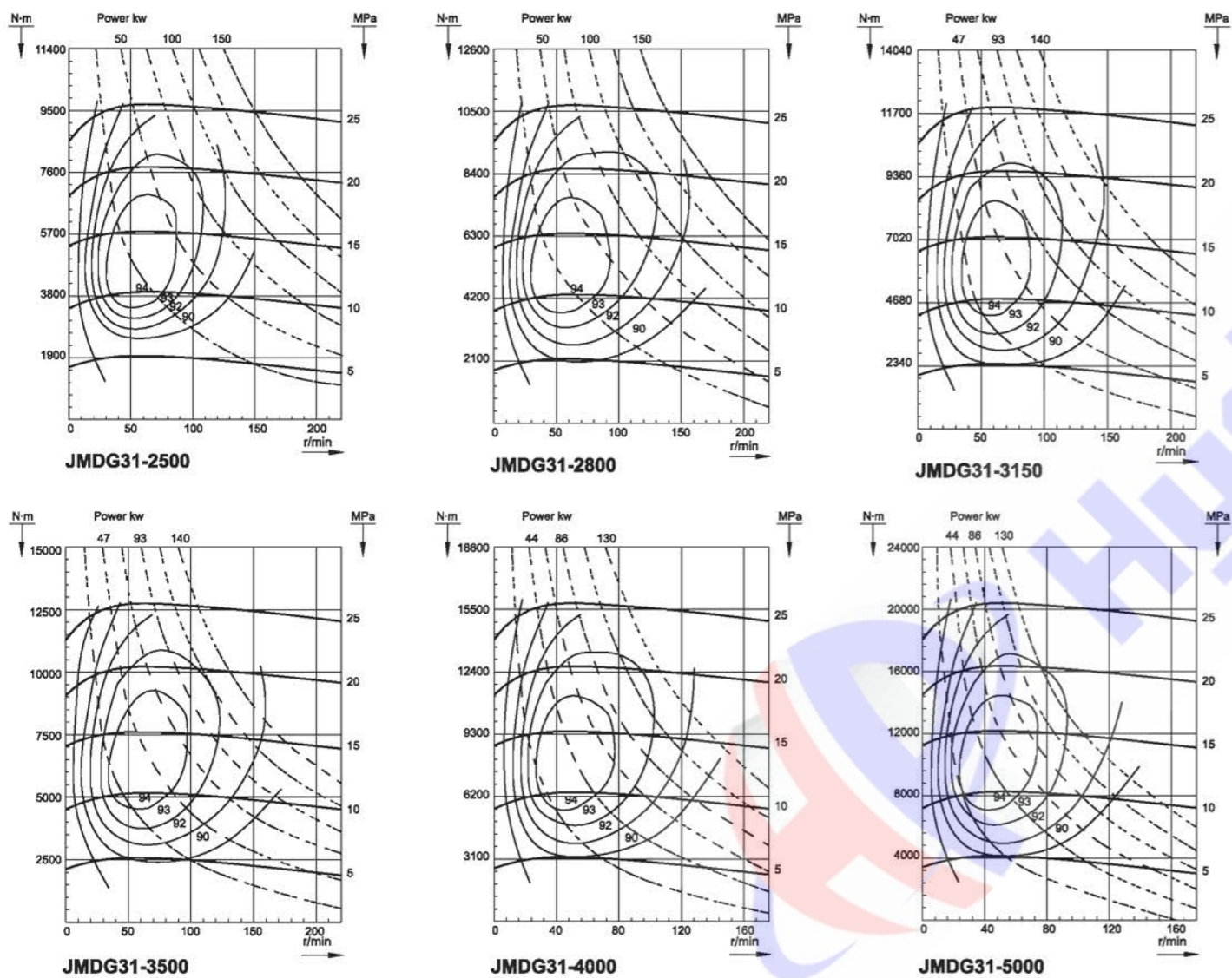
● JMDG31 Installation



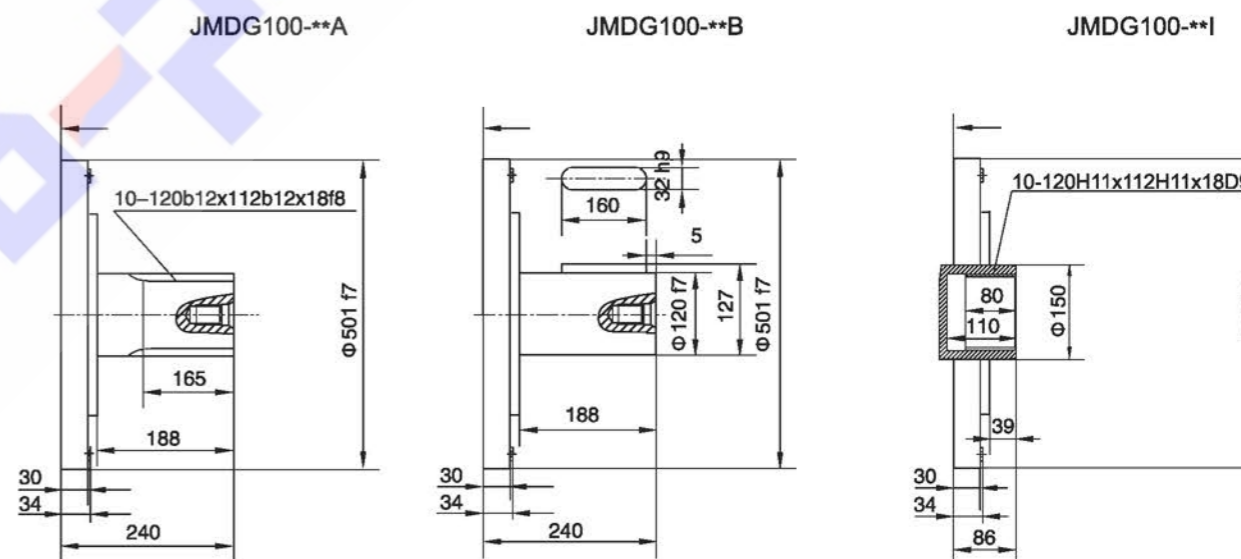
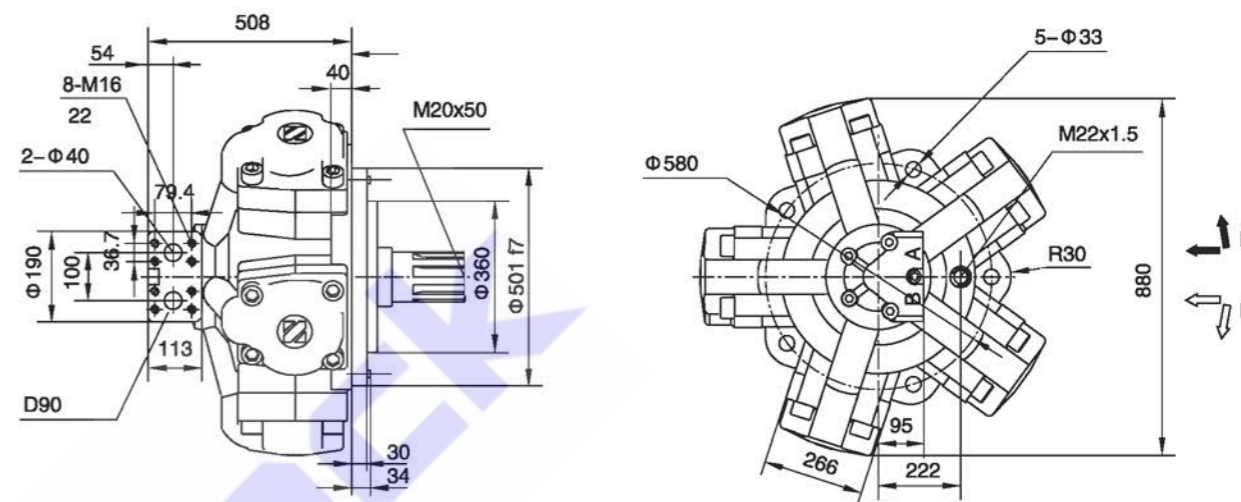
	L	L1	L2	L3	L4	L5	C3	
JMDG31-***A1	202	130	167	172	-	-	92	10-92b12x82b12x12f8
JMDG31-***B2	161.5	-	131	132	92	5	90	25x120
JMDG31-***B3	190	-	158	160	106.4	5	101.4	25.4x142

Type	Displacement (ml/r)	Pressure (MPa)		Torque(N.m)		Speed range (r/min)	Max cont Power (Kw)	Weight (Kg)
		Peak pressure	Cont pressure	(N.m) Rate torque	(N.m/MPa) Theoric torque			
JMDG31-2500	2550	24	20	7471	373	10-200	150	325
JMDG31-2800	2826	24	20	8280	414	10-200	150	325
JMDG31-3000	3050	22	18	8043	447	10-200	140	325
JMDG31-3150	3142	22	18	8285	460	10-200	140	325
JMDG31-3500	3419	22	18	9016	501	10-200	140	325
JMDG31-4000	4170	22	18	10996	611	10-200	130	325
JMDG31-4500	4522	22	18	11924	663	10-160	130	325
JMDG31-5000	5190	20	16	12165	760	10-160	130	325

● JMDG31-2500~5000 PERFORMANCE DIAGRAMS

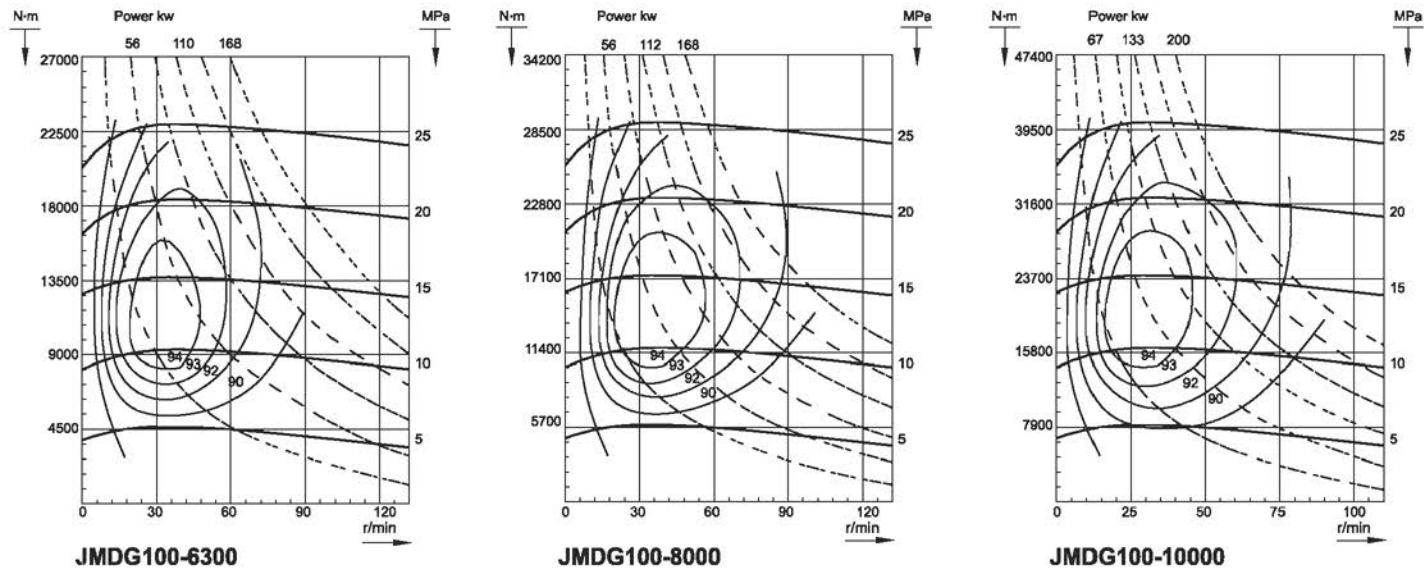


● JMDG100 Installation



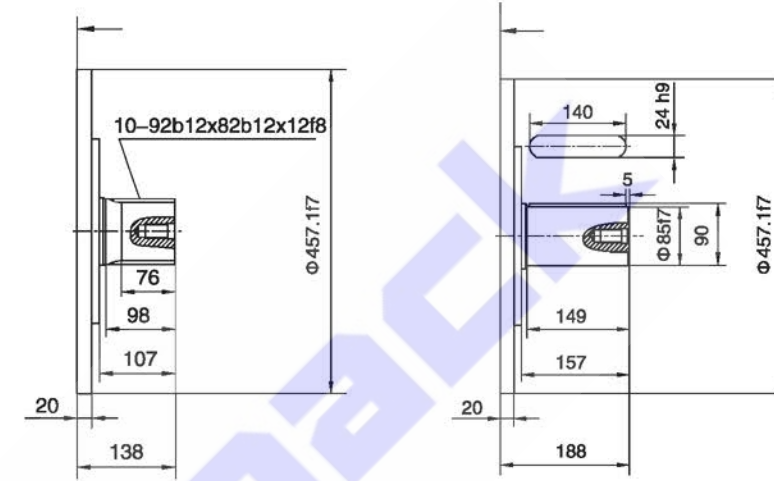
TYPE	Displacement (ml/r)	Pressure (MPa)		Torque(N.m)		Speed range (r/min)	Max cont Power (Kw)	Weight (Kg)
		Peak pressure	Cont pressure	(N.m) Rate torque	(N.m/MPa) Theoric torque			
JMDG100-6300	6133	20	16	14375	898	5-100	168	700
JMDG100-8000	7693	20	16	18032	1127	5-100	168	700
JMDG100-10000	10688	18	14	21921	1565	5-100	168	700

● JMDG100-6300~10000 PERFORMANCE DIAGRAMS

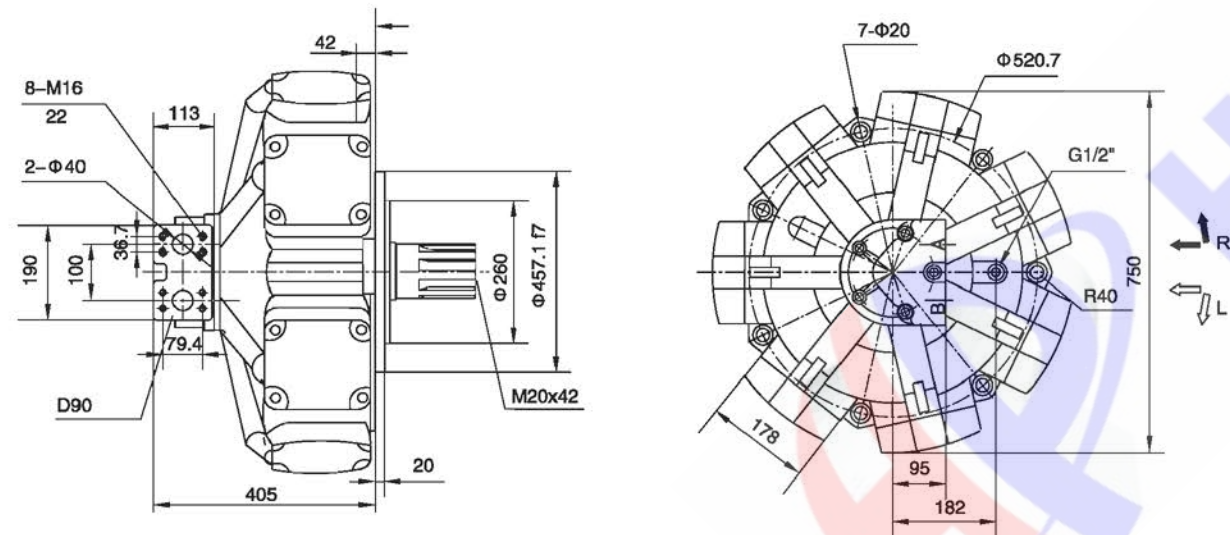


JMDG71-**A

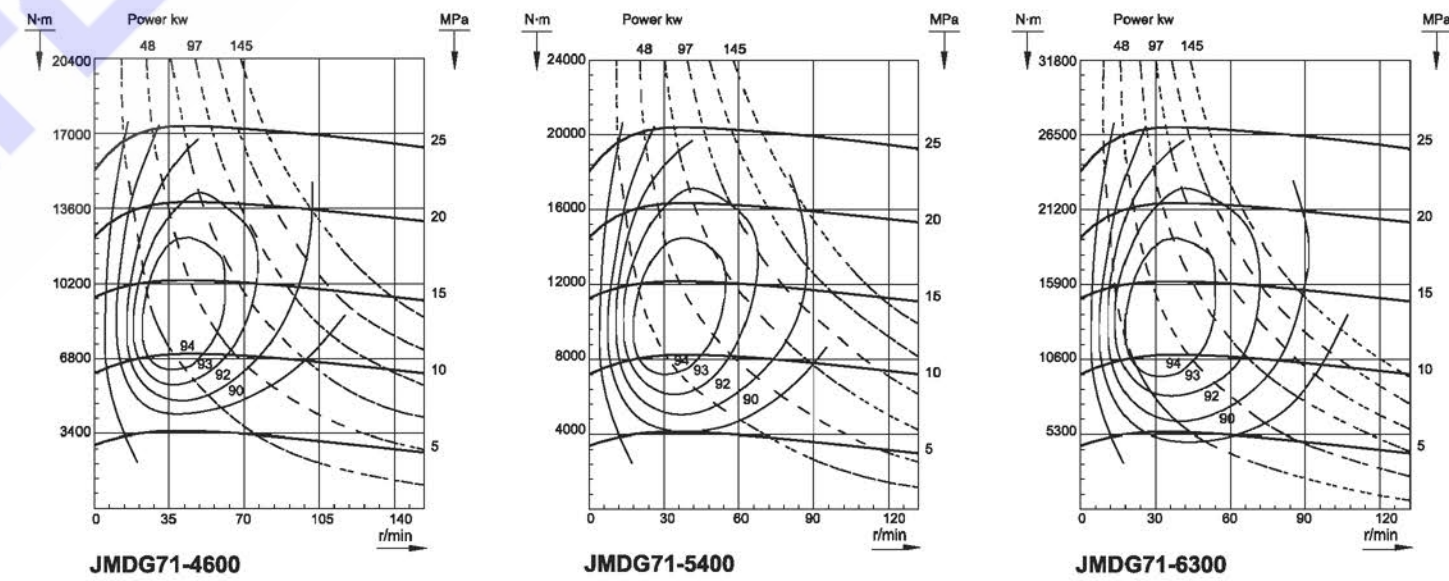
JMDG71-**B



● JMDG71 Installation



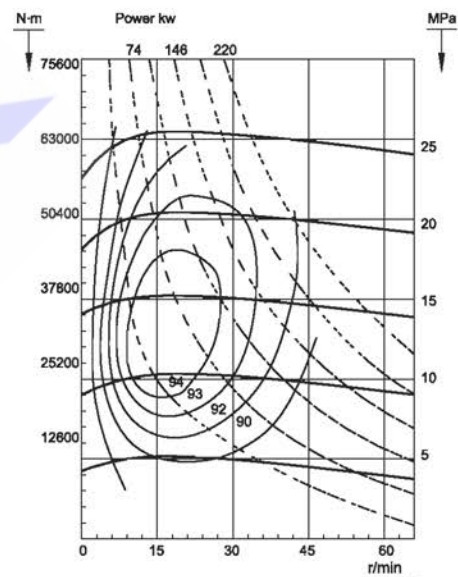
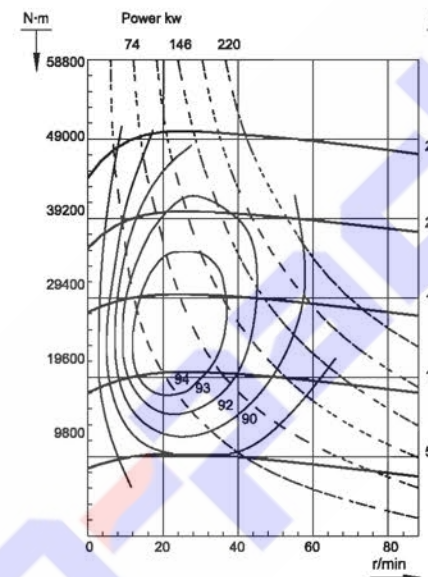
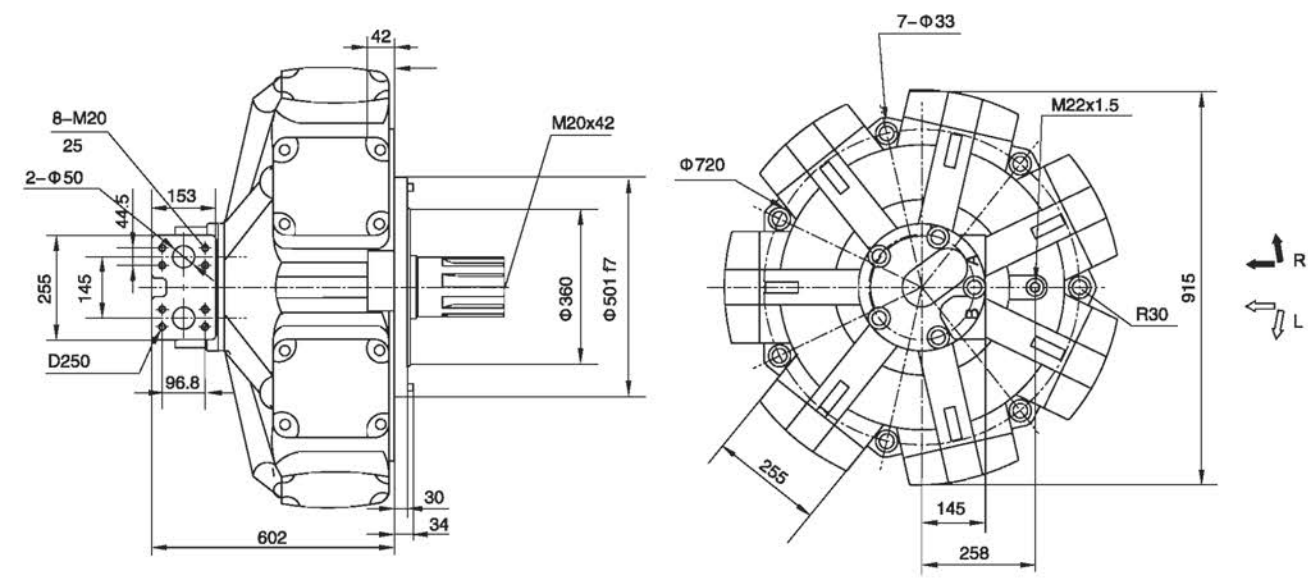
● JMDG71-4600~6300 PERFORMANCE DIAGRAMS



TYPE	Displacement (ml/r)	Pressure (MPa)		Torque(N.m)		Speed range (r/min)	Max cont Power (Kw)	Weight (Kg)
		Peak pressure	Cont pressure	(N.m) Rate torque	(N.m/MPa) Theoric torque			
JMDG71-4600	4617	22	16	10822	676	5-125	145	415
JMDG71-5400	5459	20	16	12795	799	5-125	145	415
JMDG71-6300	6361	18	14	13046	932	5-125	145	415

● JMDG160 Installation

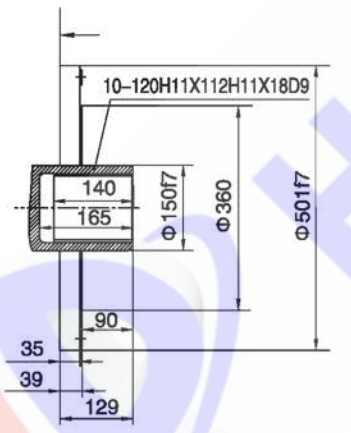
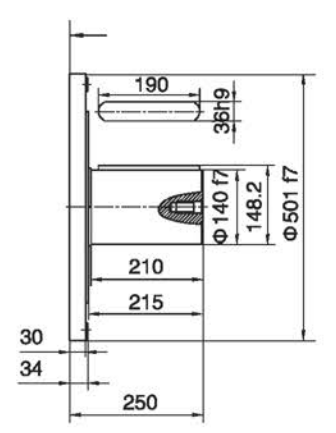
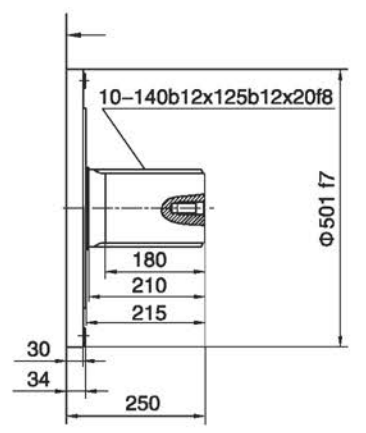
● JMDG160-12500~16000 PERFORMANCE DIAGRAMS



JMDG160-**A

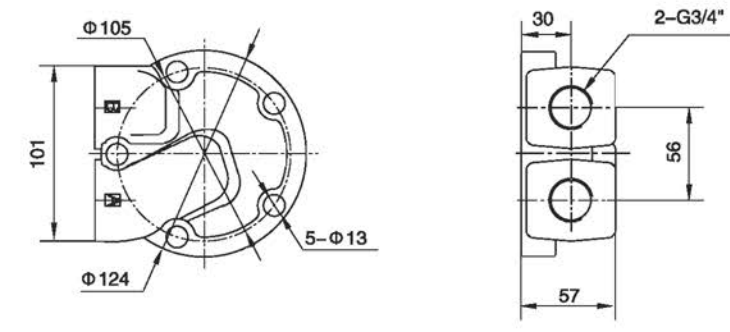
JMDG160-**B

JMDG160-**I

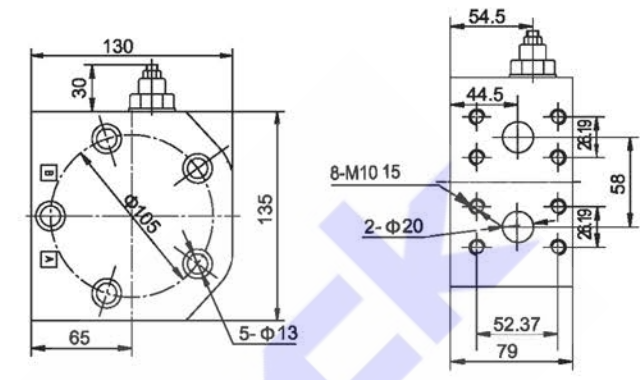


TYPE	Displacement (ml/r)	Pressure (MPa)		Torque(N.m)		Speed range (r/min)	Max cont Power (Kw)	Weight (Kg)
		Peak pressure	Cont pressure	(N.m) Rate torque	(N.m/MPa) Theoric torque			
JMDG160-12500	13335	20	16	30577	1911	3-80	220	1000
JMDG160-16000	16040	18	14	32182	2298	3-63	220	1000

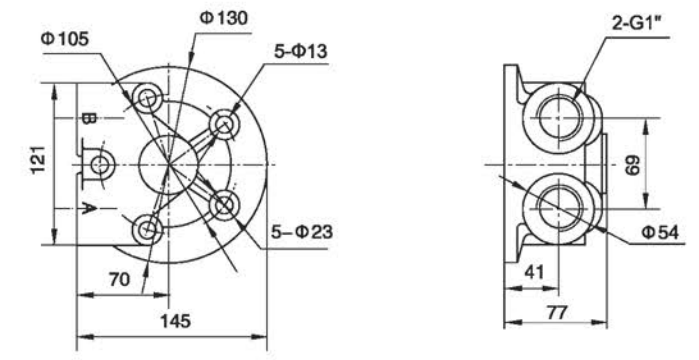
● Oil distributor



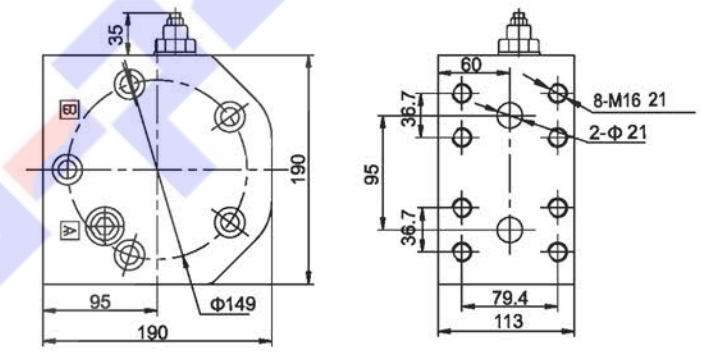
D31
 D31 : G3/4", JMDG1, JMDG2, JMDG3.
 D31 with 3/4" ports for JMDG1, JMDG2, JMDG3 series motors.
 D310: G1".
 D310 with G1" .



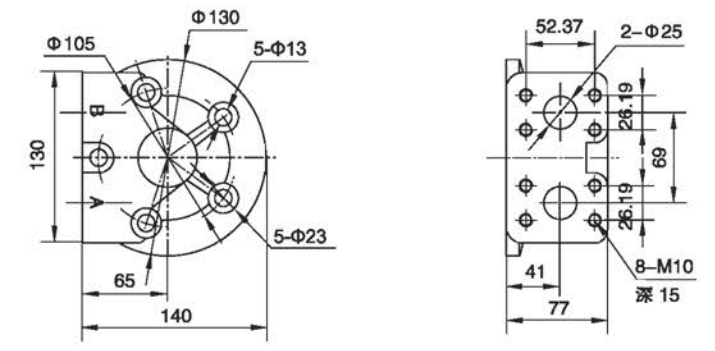
D1201
 D1201: φ 20, JMDG6, JMDG11, JMDG16
 D1201 with φ20 ports, a balance valve ports for JMDG6, JMDG11, JMDG16 series motors.



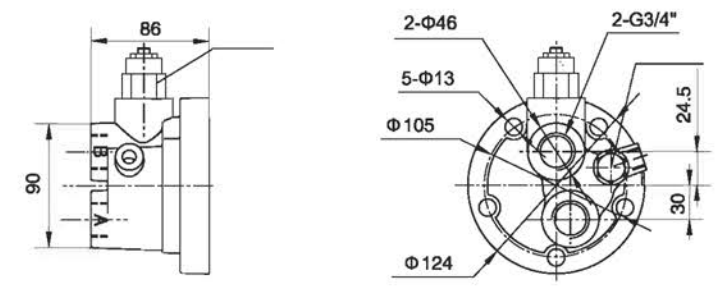
D40
 D40 : G1", JMDG6, JMDG11, JMDG16.
 D40 with 1" ports for JMDG6, JMDG11, JMDG16 series motors.
 D401: G3/4".
 D401 with G3/4"



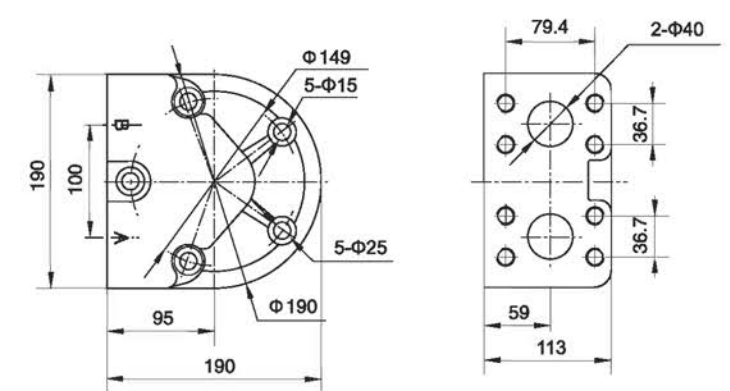
D2401
 D2401: φ21, JMDG16, JMDG31, JMDG71, JMDG100.
 D2401 with φ21 ports, a balance valve ports for JMDG16, JMDG31, JMDG71, JMDG100 series motors.



D47
 D47 : φ25, JMDG6, JMDG11, JMDG16.
 D47 with φ25 flanges for JMDG6, JMDG11, JMDG16 series motors.



D501
 D501 : G3/4", JMDG1, JMDG2, JMDG3
 D501 with G3/4" ports, a shuffle valve and a balance valve for JMDG1, JMDG2, JMDG3 series motors.

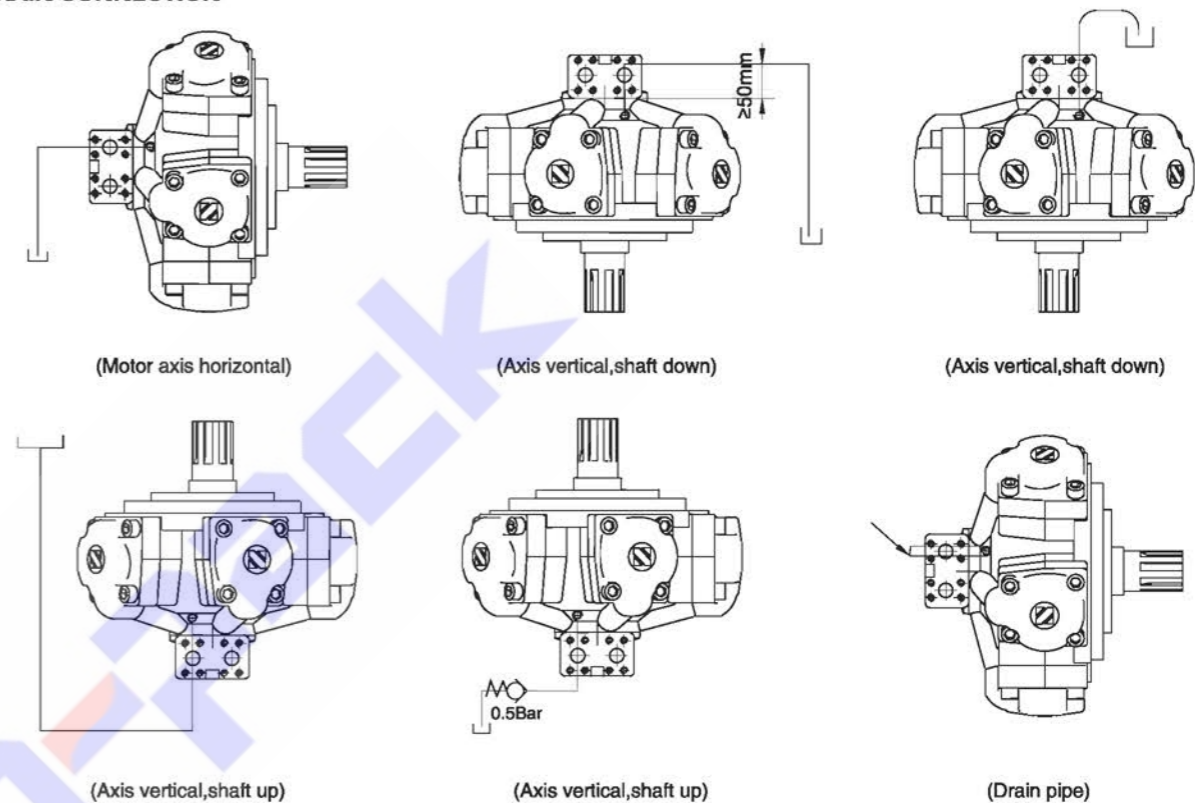


D90
 D90 : φ40, JMDG71, JMDG16, JMDG31, JMDG100.
 D90 with φ40 flanges for JMDG71, JMDG16, JMDG31, JMDG100 series motors.

D47PF8	CBEG-LJN	2-M33*2	D47A2F4	YF06-02	2-G1"
D47PAF8(240)	CBGG-LJN	2-M33*2	D47P2A2BF4	CBEG-LJN	2-G1"
	YF06-02-00			YF06-02	
D47PAF8	CBEG-LJN	2-M33*2	D47P2SF	CBEG-LJN	2-G3/4"
	YF06-02			SF06-01-00	
D47P2F8	CBEG-LJN	2-M33*2			
D47P2F2	CBEG-LJN	2-NPT3/4			

D90PF2	CBGG-LJN	Φ48
D90PF5	CBGG-LJN	2-M33*2
D90PAF5	CBGG-LJN	2-M33*2
	YF10-01-00	
D90P2F5	CBGG-LJN	2-M33*2
D90PHF5	CBGG-LJN	2-M33*2
	34S-25BOD	
D90PF12(480)	GBIG-LJN	2-M42*2
D90P2A2F5	CBGG-LJN	2-M33*2
	YF10-01-00	

DRAIN CONNECTION



NOTE

1. Motors should be fulfilled with oil through the drain port before using.
2. The highest position of drain pipe should be higher than the highest position of the motor the drain port should not be connected with outlet port, pressure in drain pipe should not be high.

BASE REQUIREMENT

1. According to air temperature and working condition , the oil you choose should have high performances of viscosity , defoaming property ,anti-oxidation , anti-rust , and high flash point etc. During the motor-running period , its viscosity is between $(25-70) \times 10^{-6}m^2/s$, and water acid , alkali and mechanical impurity should not exceed allowable value.
2. Filtering Precision, Superior to 25 μ m under rated operation condition.
3. Oil temperature keeps 25℃ -55℃ in normal continuous operation, not more than 65℃ in intermittent operation.
4. Under normal condition, Max. pressure for the motor body is 0.1Mpa. If pressure too high, oil seal is prone to be damaged and oil will be leaked out .
5. The motor can normal work as long as the backpressure exceeds 0.2Mpa. In case of insufficient backpressure ,motor will creep in low-speed operation.
6. Motor and load shall be coaxially linked . Spline shaft and the splined hole of working mechanism shall be aligned .Besides , sliding fit of both should be ensured.
7. The motor cannot work as a pump.



HYDRO